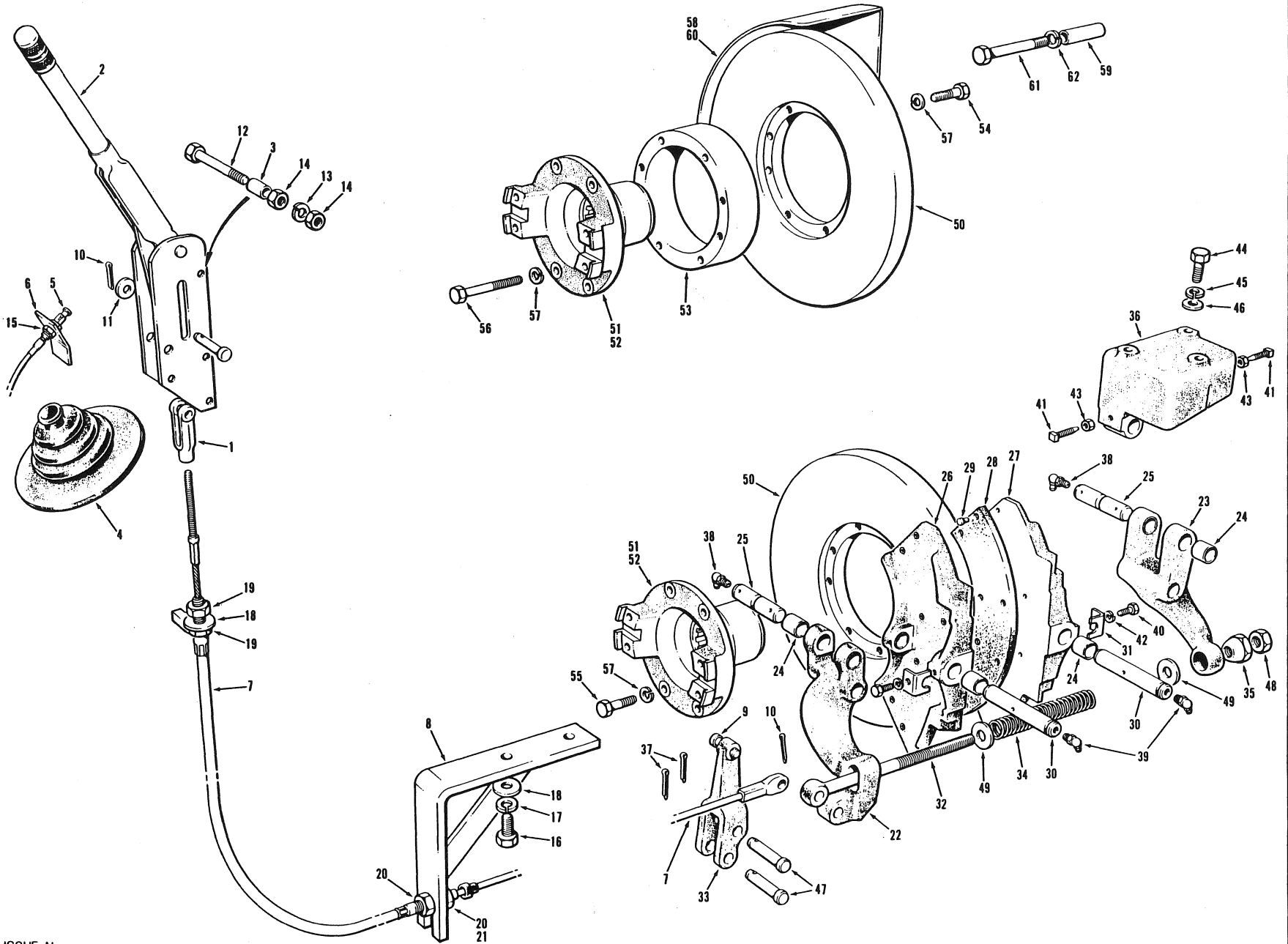


CHAMPION ROAD MACHINERY



ISSUE No.
 N° D'ÉMISSION
 N° DE EDICION I REVISION A

PARKING BRAKE INSTALLATION

APRIL 1987

FOR LIST OF PARTS - TURN THIS PAGE

POUR LA LISTE DES PIÈCES - VOIR AU VERSO

PARA LA LISTA DE LAS PIEZAS - VER AL VERSO

EFFECTIVE SERIAL NUMBERS) 16224, 16245 & UP
 NUMEROS) DE SERIE EFFECTIFS)
 NUMEROS) DE SERIE EFFECTIVOS)
 U.S. 2021-2 & UP

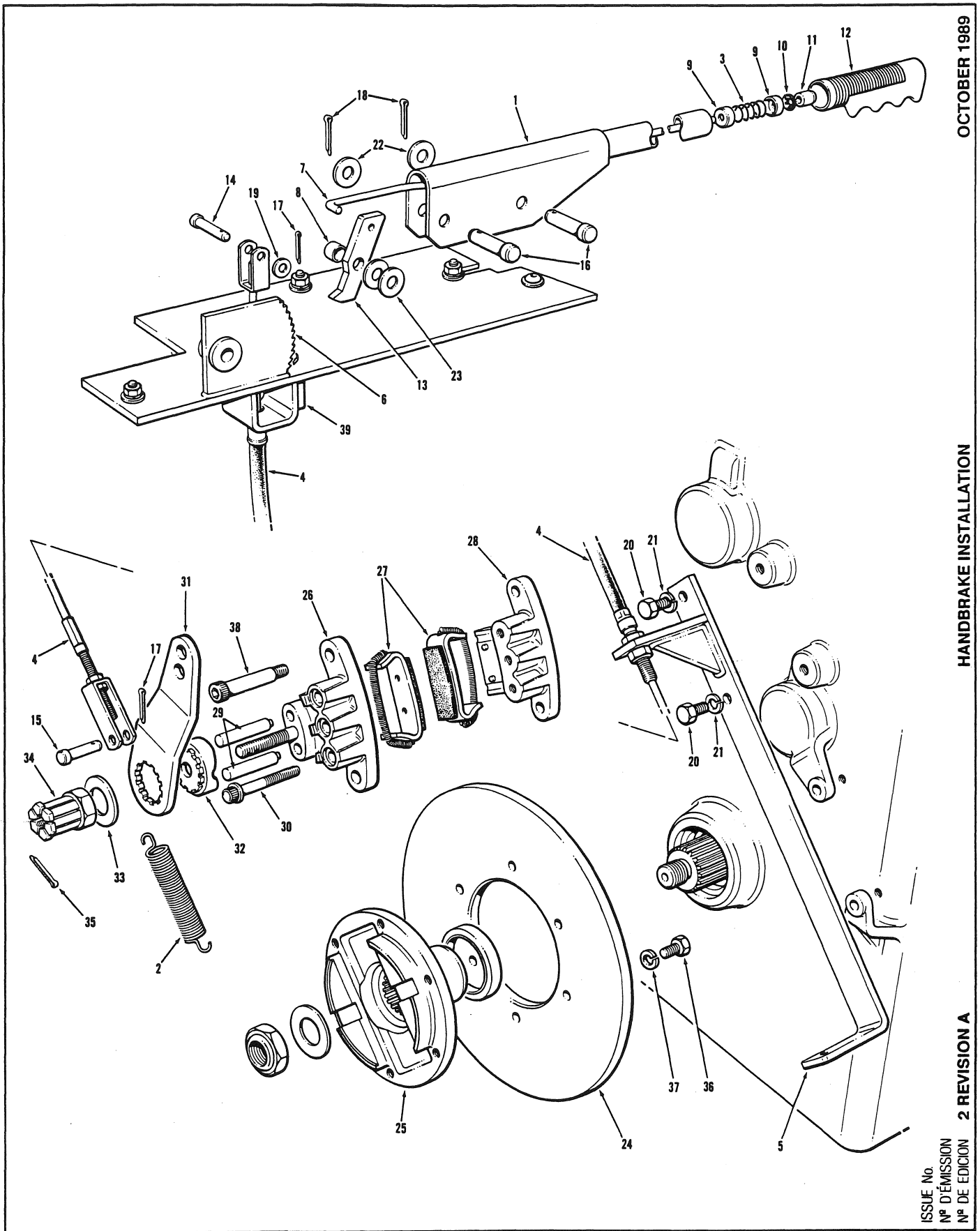
700 SERIES
 SERIE 700

SECTION 9 PAGE 1
 SECCION 9 PAGINA 1

USE ONLY CHAMPION ROAD MACHINERY APPROVED PARTS

SECTION SECCION	PAGE PAGINA	ISSUE No. N° D'ÉMISSION N° DE EDICION	REVISION A	PARKING BRAKE INSTALLATION				APRIL 1987	
No. N° N°	PART No. N° DE PIÈCE N° DE PIEZA	DESCRIPTION DESCRIPTION DESCRIPCION	No. REQ. N° REQ. N° REQ.	REMARKS REMARQUES NOTAS	No. N° N°	PART No. N° DE PIÈCE N° DE PIEZA	DESCRIPTION DESCRIPTION DESCRIPCION	No. REQ. N° REQ. N° REQ.	REMARKS REMARQUES NOTAS
<u>HANDLE & LINKAGE INSTALLATION</u>									
1	1234	ADJUSTABLE YOKE	1		37	13A-0416	COTTER PIN	2	
2	14083	BRAKE HANDLE - C/W CLEVIS PIN & ITEMS 10 & 11	1		38	29B-02	GREASE FITTING	2	
3	14544	SPACER	2		39	29D-02	GREASE FITTING	2	
4	19043	RUBBER BOOT	1		40	50A-0504	BOLT	2	
5	34845	SWITCH - WARNING LIGHT	1	OPTIONAL	41	*70H-0524	LOCK SCREW	2	
6	34987	BRACKET - SWITCH	1	REPAIR PART	42	14A-05	LOCKWASHER	2	
7	40469	BRAKE CABLE	1		43	30A-05	NUT	2	
8	40876	CABLE ANCHOR - RIGID FRAME ONLY	1	710 THRU 780	44	50A-0812	BOLT	3	
9	10A-0616	CLEVIS PIN	1		45	14A-08	LOCKWASHER	3	
10	13A-0312	COTTER PIN	2		46	14C-08	FLATWASHER	3	
11	14C-05	FLATWASHER	1		47	*10A-1032	CLEVIS PIN	2	
12	50A-0618	BOLT	2		48	31A-10	NUT	1	
13	14A-06	LOCKWASHER	2		49	14C-12	FLATWASHER	2	
14	30A-06	NUT	4		<u>PARKING BRAKE DISC & YOKE ASSEMBLY</u>				
15	31D-06	JAM NUT	1		50	4857	DISC	1	
16	50A-0808	BOLT	2		51	36293	YOKE	1	720 THRU 780A
17	14A-08	LOCKWASHER	2		52	40053	YOKE	1	710, 710A
18	14C-08	FLATWASHER	3		53	40468	SPACER - ARTICULATED FRAME ONLY	1	720A THRU 780A
19	31D-08	JAM NUT	2		54	51A-0710	BOLT	4	
20	30D-09	JAM NUT	2		55	51A-0712	BOLT - RIGID FRAME ONLY	4	710 THRU 780
21	14Q-09	LOCKWASHER	1		56	*51A-0728	BOLT - ARTICULATED FRAME ONLY	4	EXCEPT 710A
<u>PARKING BRAKE INSTALLATION</u>									
	11690	BRAKE ASSEMBLY -C/W ITEMS 22 TO 49	1		57	14A-07	LOCKWASHER	8	
22	4858	LEVER - C/W ITEM 24	1		<u>PARKING BRAKE FENDERS</u>				
23	4859	LEVER - C/W ITEM 24	1		58	40523	FENDER	1	710, 710A
24	4860	BUSHING	8		59	17200	SPACER	2	
25	4861	PIN - LEVER	2		60	40850	FENDER	2	720 THRU 780A
26	4863	SHOE ASSY. - INCLUDES ITEMS 24,27,28 & 29	2		61	*50A-1036	BOLT	2	
27		BRAKE SHOE - (NOT SOLD SEPARATELY)	2		62	14A-10	LOCKWASHER	2	
28	4865	BRAKE LINING	2			33274	REPAIR KIT FOR 11690 BRAKE ASSEMBLY - INCLUDES ITEMS 24,25,26,31,35,37,41 & 47	A.R.	
29	4866	RIVET	16			33275	REPAIR KIT FOR 4863 SHOE ASSEMBLY - INCLUDES ITEMS 28 & 29	A.R.	
30	4869	PIN - BRAKE SHOE	2						
31	4870	RETAINER	2						
32	4871	ROD	1						
33	4872	OPERATING LEVER	1						
34	4874	SPRING	1						
35	4875	NUT	1						
36	4876	BRACKET	1						

CHAMPION ROAD MACHINERY



EFFECTIVE SERIAL NUMBER(S) 18802, 18878 & UP
 NUMERO(S) DE SÉRIE EFFECTIFS)
 NUMERO(S) DE SERIE EFECTIVO(S)

700 SERIES
 SERIE 700

SECTION
 SECCION

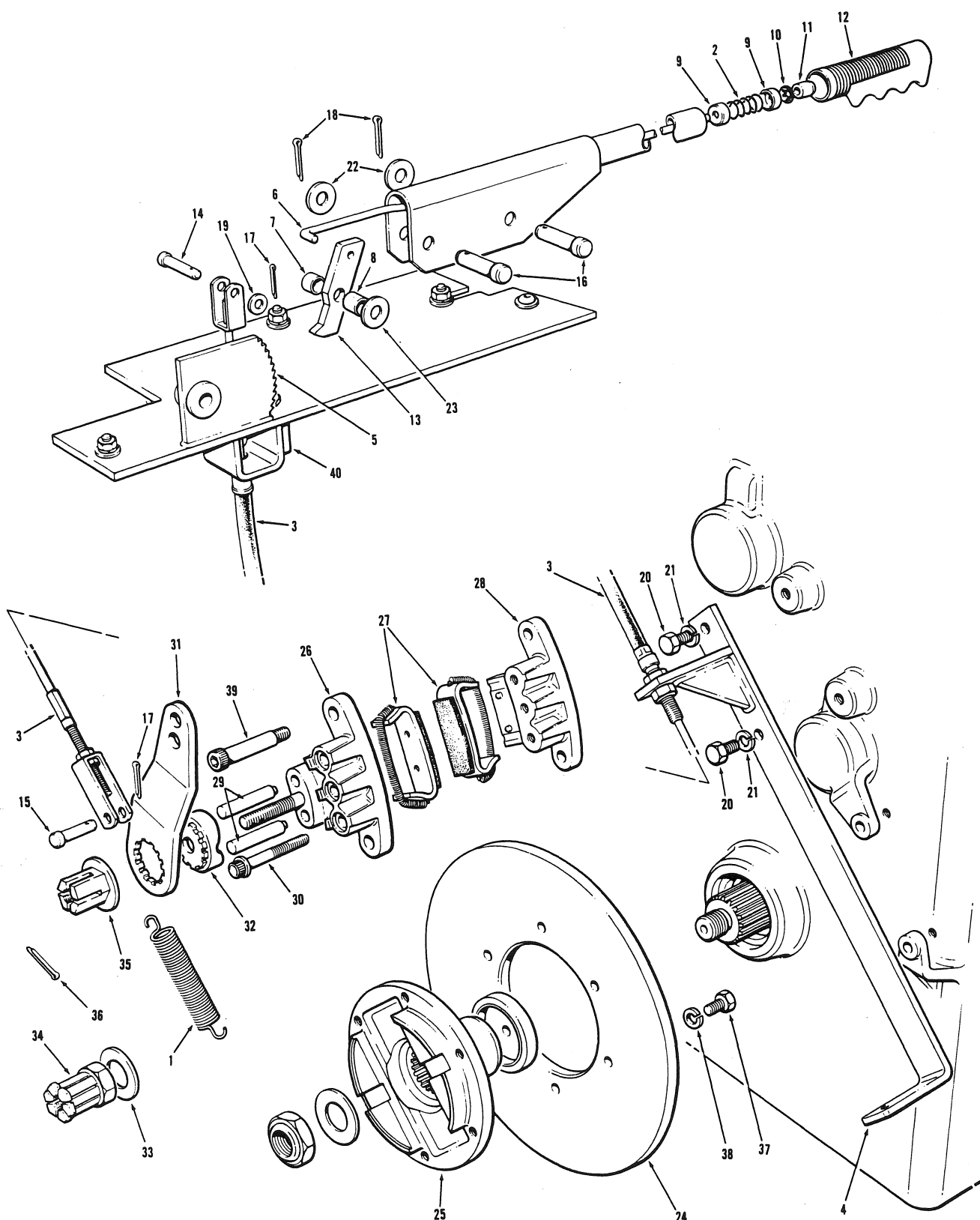
9

PAGE
 PAGINA

1

SECTION SECCION		PAGE PAGINA		ISSUE No. N° D'ÉMISSION N° DE EDICION		2 REVISION A		HANDBRAKE INSTALLATION			OCTOBER 1989	
No. N° N°	PART No. N° DE PIECE N° DE PIEZA	DESCRIPTION DÉSCRIPTION DESCRIPCION		No. REQ. N° REQ. N° REQ.	REMARKS REMARQUES NOTAS	No. N° N°	PART No. N° DE PIECE N° DE PIEZA	DESCRIPTION DÉSCRIPTION DESCRIPCION		No. REQ. N° REQ. N° REQ.	REMARKS REMARQUES NOTAS	
1	46505	HANDLE ASSEMBLY C/W ITEMS 3, 6 TO 14, 16 TO 19 22, & 23		1								
2	670	SPRING		1								
3	34561	SPRING		1								
4	37747	BRAKE CABLE		1								
5	*53958	BRACKET		1								
6	46491	RACHET		1	REPAIR PART							
7	46496	ROD		1								
8	46551	SPACER		1								
9	46652	WASHER		1								
10	46553	FASTENER		1								
11	46554	END PROTECTOR		1								
12	46556	GRIP - HANDLE		1								
13	48970	PAWL		1								
14	10A-0516	CLEVIS PIN		1								
15	10A-0616	CLEVIS PIN		2								
16	10A-0828	CLEVIS PIN		2								
17	13A-0312	COTTER PIN		3								
18	13A-0420	COTTER PIN		2								
19	14C-05	FLATWASHER		1								
20	50A-0810	BOLT		2								
21	14A-08	LOCKWASHER		2								
22	14C-08	FLATWASHER		2								
23	14D-08	FLATWASHER		2								
	*51572	CALIPER - BRAKE C/W ITEMS 26 TO 35		1								
24	37654	DISC		1								
25	37655	YOKE		1								
26	48475	BRAKE - CAM SIDE		1								
27	48476	PAD HOLDER ASSEMBLY		2								
28	48477	BRAKE - CARRIER		1								
29	48478	PUSH PINS		2								
30	48483	BOLT		3								
31	*55226	LEVER		1								
32	*55227	CAM		1								
33	*55228	WASHER		1								
34	*55229	NUT		1								
35	*13A-0524	COTTER PIN		1								
36	50A-0810	BOLT		6								
37	14A-08	LOCKWASHER		6								
38	50G-0828	BOLT		2								
		<u>WARNING LIGHT</u>										
39	46755	SWITCH		1								

CHAMPION R. MACHINERY



AUGUST 1992

HANDBRAKE INSTALLATION

FOR LIST OF PARTS - TURN THIS PAGE
 POUR LA LISTE DES PIÈCES - VOIR AU VERSO
 PARA LA LISTA DE LAS PIEZAS - VER AL VERSO

3 REVISION A

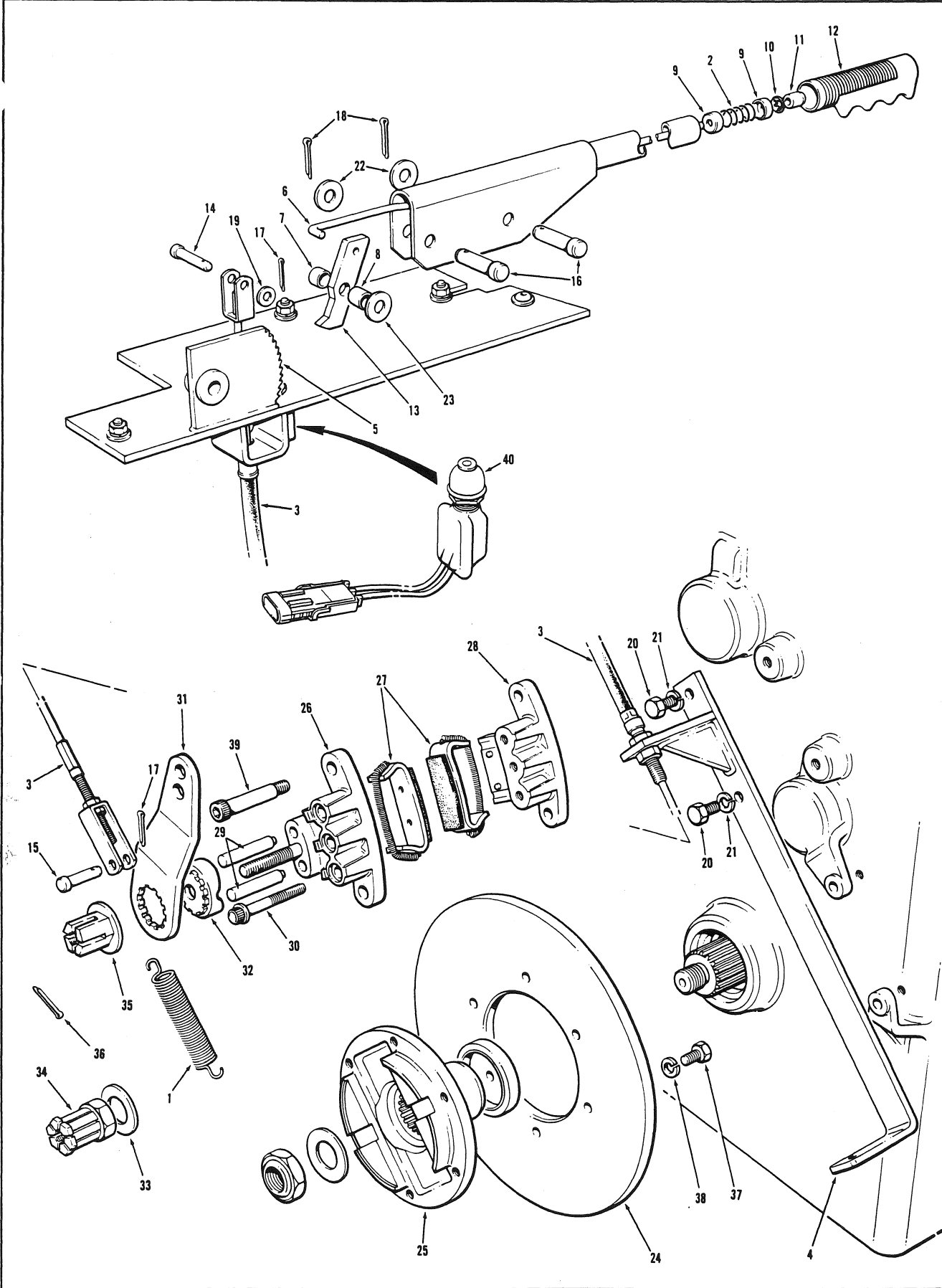
ISSUE No
 N° D'ÉMISSION
 N° DE EDICIÓN

EFFECTIVE SERIAL NUMBER(S)
 NUMERO(S) DE SÉRIE EFFECTIF(S)
 NUMERO(S) DE SERIE EFECTIVO(S)
 20285, 20287, 20288, 20293,
 20294 & 20296 to 20829

700 SERIES
 SERIE 700

SECTION 9 PAGE 1
 SECCION 9 PAGINA 1

SECTION SECCION		PAGE PAGINA		ISSUE No. N° D'ÉMISSION N° DE EDICION		HANDBRAKE INSTALLATION				AUGUST 1992		
9		2		3 REVISION A		No.	PART No.	DESCRIPTION	No. REQ.	REMARKS	No. REQ.	REMARKS
Nº	Nº	Nº	Nº	Nº	Nº	Nº	Nº	DESCRIPCION	Nº	REMARKS	Nº	REMARKS
Nº	Nº	Nº	Nº	Nº	Nº	Nº	Nº	DESCRIPCION	Nº	REMARKS	Nº	REMARKS
Nº	Nº	Nº	Nº	Nº	Nº	Nº	Nº	DESCRIPCION	Nº	REMARKS	Nº	REMARKS
	*54463							HANDLE ASSEMBLY C/W ITEMS 2, 5 to 14, 16 to 19, 22, & 23	1			
1	670							SPRING	1			
2	34581							SPRING	1			
3	37747							BRAKE CABLE	1			
4	53958							BRACKET	1			
5	54458							RATCHET	1	REPAIR PART		
6	54459							ROD	1			
7	54460							SPACER - LONG	1			
8	54461							SPACER - SHORT	1			
9	46552							WASHER	1			
10	46553							FASTENER	1			
11	46554							END PROTECTOR	1			
12	46556							GRIP - HANDLE	1			
13	48970							PAWL	1			
14	10A-0516							CLEVIS PIN	1			
15	10A-0616							CLEVIS PIN	2			
16	10A-0828							CLEVIS PIN	2			
17	13A-0312							COTTER PIN	3			
18	13A-0420							COTTER PIN	2			
19	14C-05							FLATWASHER	1			
20	50A-0810							BOLT	2			
21	14A-08							LOCKWASHER	2			
22	14C-08							FLATWASHER	2			
23	14D-08							FLATWASHER	1			
	51572							CALIPER - BRAKE C/W ITEMS 28 TO 35	1			
24	37654							DISC	1			
25	37655							YOKE	1			
26	48475							BRAKE - CAM SIDE	1			
27	48476							PAD HOLDER ASSEMBLY	2			
28	48477							BRAKE - CARRIER	1			
29	48478							PUSH PINS	2			
30	48483							BOLT	3			
31	55226							LEVER	1			
32	55227							CAM	1			
33	55228							WASHER	1			
34	55229							NUT	1			
35	56541							NUT	1			
36	13A-0524							COTTER PIN	1			
37	50A-0810							BOLT	6			
38	14A-08							LOCKWASHER	6			
39	*50G-1028							BOLT	2			
								WARNING LIGHT				
40	46755							SWITCH	1			



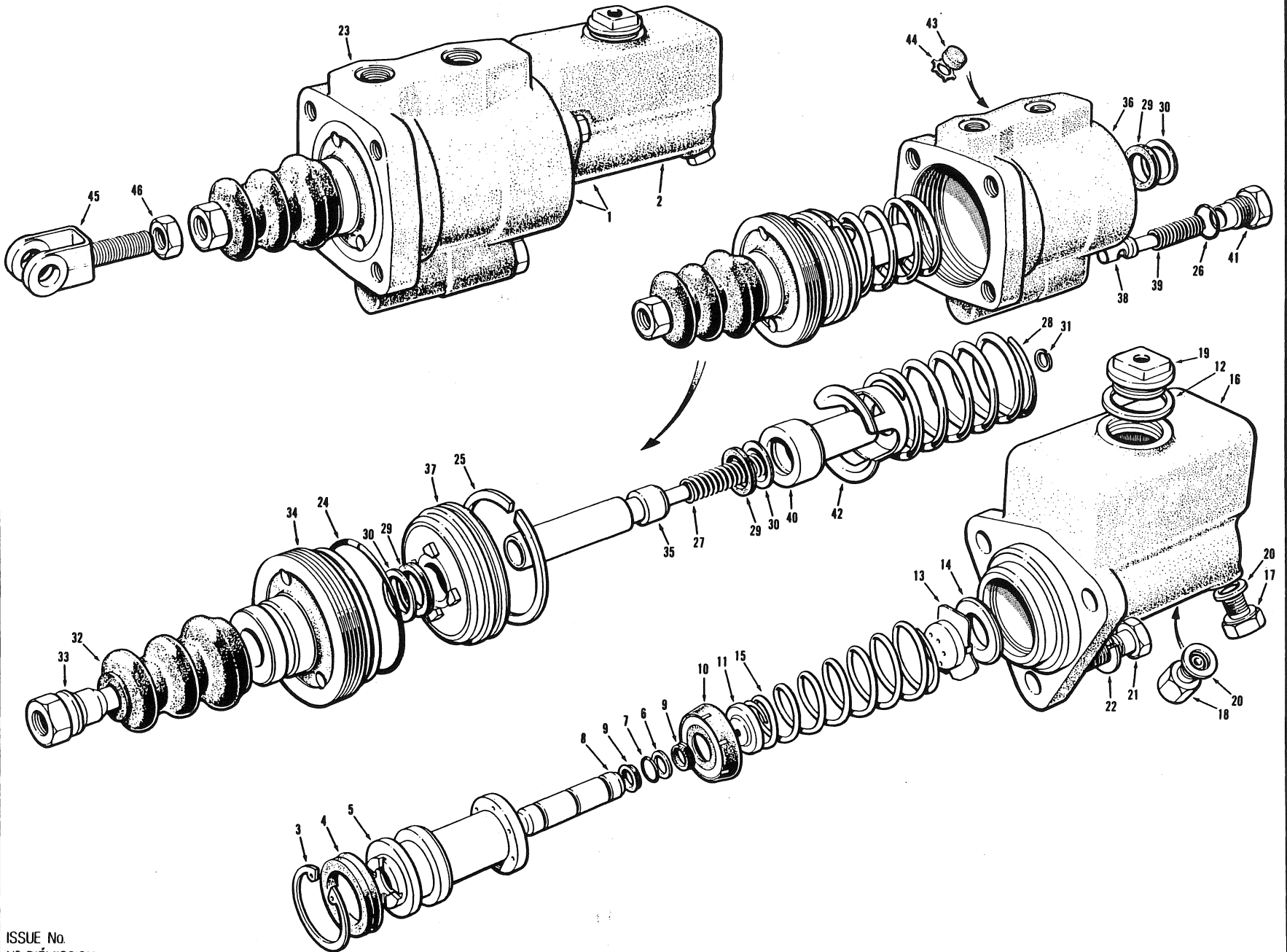
EFFECTIVE SERIAL NUMBER(S)
NUMERO(S) DE SÉRIE EFFECTIF(S)
NUMERO(S) DE SERIE EFECTIVO(S) 20830 & UP
SEE OVER

700 SERIES
SERIE 700

SECTION 9 PAGE 1
SECCION 9 PAGINA 1

SECTION SECCION		PAGE PAGINA		ISSUE No. N° D'ÉMISSION N° DE EDICION		HANDBRAKE INSTALLATION			NOVEMBER 1992	
No. N° N°	PART No. N° DE PIÈCE N° DE PIEZA	DESCRIPTION DÉSCRIPTION DESCRIPCION	No. REQ. N° REQ. N° REQ.	REMARKS REMARQUES NOTAS	No. N° N°	PART No. N° DE PIECE N° DE PIEZA	DESCRIPTION DÉSCRIPTION DESCRIPCION	No. REQ. N° REQ. N° REQ.	REMARKS REMARQUES NOTAS	
	*54463	HANDLE ASSEMBLY - C/W ITEMS 2, 5 to 14, 16 to 19, 22, & 23	1							
1	670	SPRING	1							
2	34561	SPRING	1							
3	37747	BRAKE CABLE	1							
4	53958	BRACKET	1							
5	54458	RATCHET	1	Repair Part						
6	54459	ROD	1							
7	54460	SPACER - LONG	1							
8	54461	SPACER - SHORT	1							
9	46552	WASHER	1							
10	46553	FASTENER	1							
11	46554	END PROTECTOR	1							
12	46556	GRIP - HANDLE	1							
13	48970	PAWL	1							
14	10A-0516	CLEVIS PIN	1							
15	10A-0816	CLEVIS PIN	2							
16	10A-0828	CLEVIS PIN	2							
17	13A-0312	COTTER PIN	3							
18	13A-0420	COTTER PIN	2							
19	14C-05	FLATWASHER	1							
20	50A-0810	BOLT	2							
21	14A-08	LOCKWASHER	2							
22	14C-08	FLATWASHER	2							
23	14D-08	FLATWASHER	1							
	51572	CALIPER - BRAKE - C/W ITEMS 26 to 35	1							
24	37654	DISC	1							
25	37655	YOKE	1							
26	48475	BRAKE - CAM SIDE	1							
27	48476	PAD HOLDER ASSEMBLY	2							
28	48477	BRAKE - CARRIER	1							
29	48478	PUSH PINS	2							
30	48483	BOLT	3							
31	55226	LEVER	1							
32	55227	CAM	1							
33	55228	WASHER	1							
34	55229	NUT	1							
35	56541	NUT	1							
36	13A-0524	COTTER PIN	1							
37	50A-0810	BOLT	6							
38	14A-08	LOCKWASHER	6							
39	*50G-1028	BOLT	2							
		PARKING BRAKE								
40	56775	SWITCH	1							

NOTE:
This Handbrake Installation applies
ONLY to Models 710 thru 740A
at S/N 21053.
See Section 9 Page 19
for Models 750 thru 780A



EFFECTIVE SERIAL NUMBER(S) 16224, 16245 & UP
 NUMERO(S) DE SERIE EFFECTIF(S)
 NUMERO(S) DE SERIE EFFETIVOIS
 U.S. 2021-2 & UP

700 SERIES
 SERIE 700

SECTION 9 PAGE 3
 SECCION 9 PAGINA 3

ISSUE No.
 N° D'ÉMISSION
 N° DE EDICION 1

MASTER CYLINDER & BOOSTER ASSEMBLY - POWER BRAKES

OCTOBER 1984

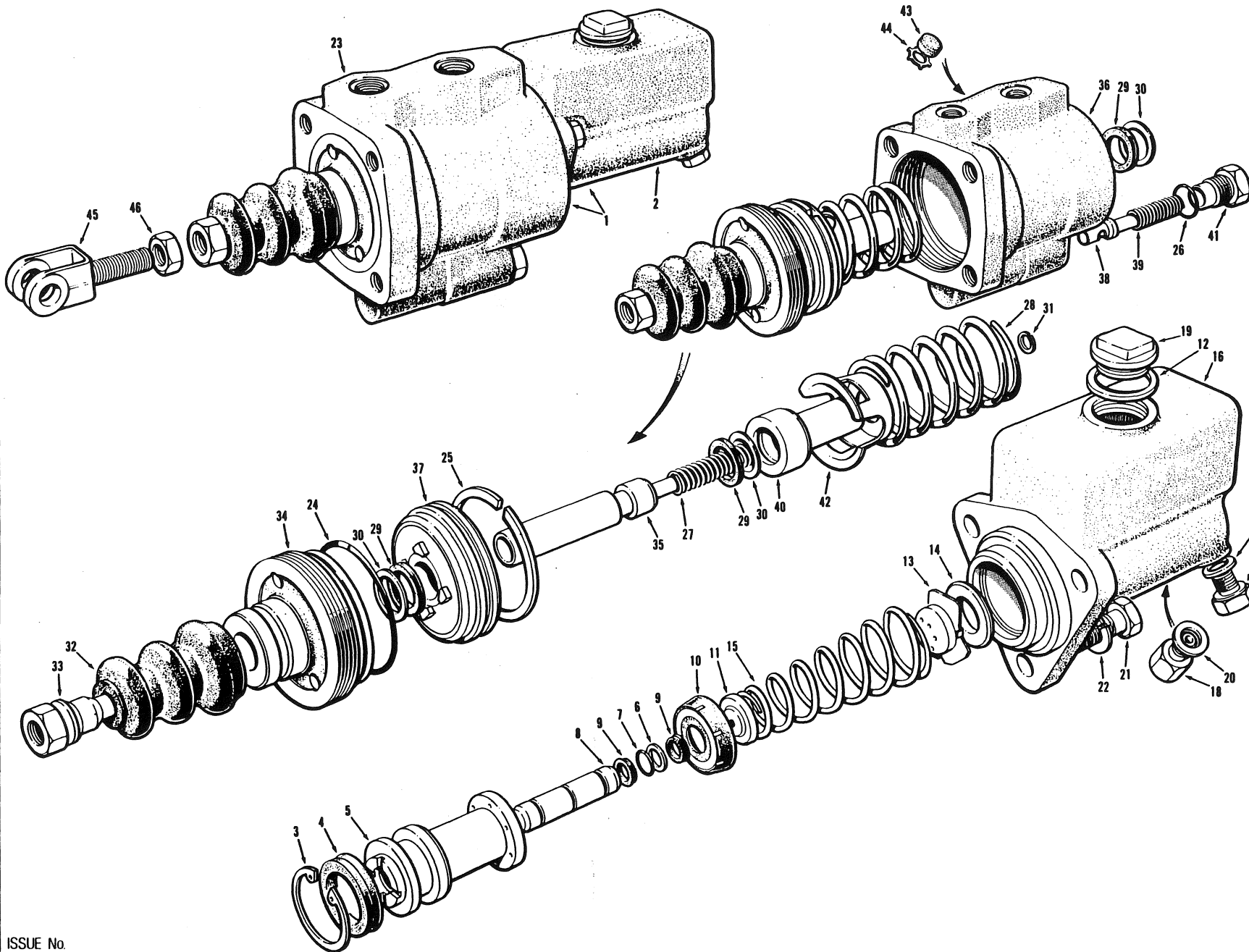
FOR LIST OF PARTS - TURN THIS PAGE

POUR LA LISTE DES PIÈCES - VOIR AU VERSO

PARA LA LISTA DE LAS PIEZAS - VER AL VERSO

USE ONLY CHAMPION APPROVED PARTS

SECTION SECCION 9		PAGE PAGINA 4	ISSUE No. N° D'ÉMISSION 1 N° DE EDICION	MASTER CYLINDER & BOOSTER ASSEMBLY - POWER BRAKES				OCTOBER 1984	
No. N° N°	PART No. N° DE PIÈCE N° DE PIEZA	DESCRIPTION DÉSCRIPTION DESCRIPCION	No. REQ. N° REQ. N° REQ.	REMARKS REMARQUES NOTAS	No. N° N°	PART No. N° DE PIÈCE N° DE PIEZA	DESCRIPTION DÉSCRIPTION DESCRIPCION	No. REQ. N° REQ. N° REQ.	REMARKS REMARQUES NOTAS
1	34600	BRAKE MASTER CYLINDER & POWER BOOSTER ASSEMBLY - INCLUDES ITEMS 3 TO 44	1		23	36412	POWER BOOSTER ASSEMBLY - INCLUDES ITEMS 24 TO 44	1	
2	36411	BRAKE MASTER CYLINDER ASSEMBLY - INCLUDES ITEMS 3 TO 20	1			36494	REPAIR KIT - BOOSTER ASSEMBLY - INCLUDES ITEMS 24 TO 32	A.R.	
	33931	REPAIR KIT - MASTER CYLINDER - INCLUDES ITEMS 3 TO 15	A.R.		24		O RING	1	
3		RETAINING RING	1		25		PISTON RING	1	
4		CUP	1		26		O RING	1	
5		PISTON	1		27		SPRING	1	
6		BACK-UP RING	1		28		SPRING	1	
7		O RING	1		29		CUP	3	
8		PISTON	1		30		BACK-UP RING	3	
9		CUP	2		31		RETAINING RING	1	
10		CUP	1		32	36497	BOOT	1	
11		RETAINER	1		33	36498	PUSH ROD	1	
12	36499	GASKET - FILLER PLUG	1		34		END PLUG	1	
13		CHECK VALVE	1		35		PISTON	1	
14		VALVE SEAT	1		36		HOUSING	1	
15		SPRING	1		37		PISTON	1	
16		HOUSING	1		38		VALVE STEM	1	
17	7844	PLUG	1		39		SPRING	1	
18	8159	CONNECTOR	1		40		PISTON	1	
19	36496	FILLER PLUG	1		41		END PLUG	1	
20	105C-1208	WASHER	2		42		RETAINER	1	
21	50A-0610	BOLT	3		43		SNUBBER	1	
22	14A-06	LOCKWASHER	3		44		RETAINING RING	1	
					45	36463	CLEVIS	1	
					46	31D-08	JAM NUT	1	



EFFECTIVE SERIAL NUMBERS) 17049 TO 19449
 NUMEROS) DE SERIE EFECTIVOS)
 U.S. 2515-2 TO 2658-2

700 SERIES
 SERIE 700

SECTION 9 PAGE 3
 SECCION 9 PAGINA 3

ISSUE No.
 N° D'ÉMISSION
 N° DE EDICION 2 REVISION B

MASTER CYLINDER & BOOSTER ASSEMBLY - POWER BRAKES

FEBRUARY 1989

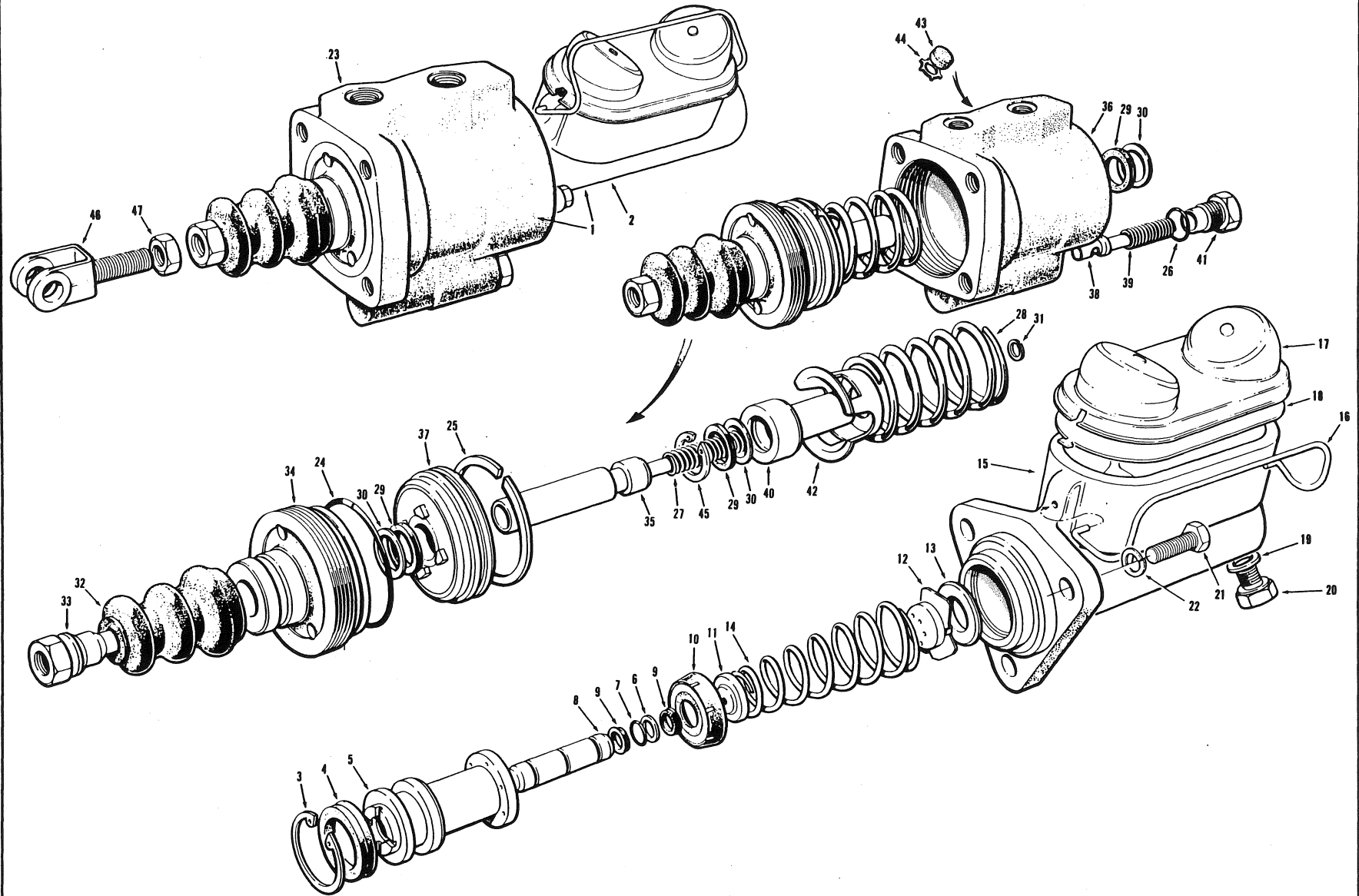
FOR LIST OF PARTS - TURN THIS PAGE

POUR LA LISTE DES PIÈCES - VOIR AU VERSO

PARA LA LISTA DE LAS PIEZAS - VER AL VERSO

USE ONLY CHAMPION ROAD MACHINERY APPROVED PARTS

SECTION SECCION 9		PAGE PAGINA 4	ISSUE No. N° D'ÉMISSION N° DE EDICION 2	REVISION B	MASTER CYLINDER & BOOSTER ASSEMBLY - POWER BRAKES				FEBRUARY 1989
No. N° N°	PART No. N° DE PIÉCE N° DE PIEZA	DESCRIPTION DÉSCRIPTION DESCRIPCION	No. REQ. N° REQ. N° REQ.	REMARKS REMARQUES NOTAS	No. N° N°	PART No. N° DE PIÉCE N° DE PIEZA	DESCRIPTION DÉSCRIPTION DESCRIPCION	No. REQ. N° REQ. N° REQ.	REMARKS REMARQUES NOTAS
1	43900	BRAKE MASTER CYLINDER & POWER BOOSTER ASSEMBLY - INCLUDES ITEMS 3 TO 44	1		23	36412	POWER BOOSTER ASSEMBLY - INCLUDES ITEMS 24 TO 44	1	
2	44217	BRAKE MASTER CYLINDER ASSEMBLY - INCLUDES ITEMS 3 TO 20	1			36494	REPAIR KIT - BOOSTER ASSEMBLY - INCLUDES ITEMS 24 TO 32	A.R.	
	33931	REPAIR KIT - MASTER CYLINDER - INCLUDES ITEMS 3 TO 15	A.R.		24		O RING	1	
3		RETAINING RING	1		25		PISTON RING	1	
4		CUP	1		26		O RING	1	
5		PISTON	1		27		SPRING	1	
6		BACK-UP RING	1		28		SPRING	1	
7		O RING	1		29		CUP	3	
8		PISTON	1		30		BACK-UP RING	3	
9		CUP	2		31		RETAINING RING	1	
10		CUP	1		32	36497	BOOT	1	
11		RETAINER	1		33	36498	PUSH ROD	1	
12	36499	GASKET - VENTED PLUG	1		34		END PLUG	1	
13		CHECK VALVE	1		35		PISTON	1	
14		VALVE SEAT	1		36		HOUSING	1	
15		SPRING	1		37		PISTON	1	
16		HOUSING	1		38		VALVE STEM	1	
17	7844	PLUG	1		39		SPRING	1	
18	8159	CONNECTOR	1		40		PISTON	1	
19	43903	VENTED PLUG	1		41		END PLUG	1	
20	105C-1208	WASHER	2		42		RETAINER	1	
21	50A-0610	BOLT	3		43		SNUBBER	1	
22	14A-06	LOCKWASHER	3		44		RETAINING RING	1	
					45	36463	CLEVIS	1	
					46	31D-08	JAM NUT	1	



EFFECTIVE SERIAL NUMBERS) 19450 to 19457, 19459 to 19564,
 NUMEROS DE SERIE EFFECTIFS) 19566, 19567, 19590, 19593,
 NUMEROS DE SERIE EFFECTIVOS) 19611, 19615 and 19617

700 SERIES
 SERIE 700

SECTION 9 PAGE 3
 SECTION 9 PAGE 3
 SECTION 9 PAGE 3

ISSUE No.
 N° D'ÉMISSION
 N° DE EDICION

3 REVISION A

MASTER CYLINDER & BOOSTER ASSEMBLY - POWER BRAKES

MAY 1990

FOR LIST OF PARTS - TURN THIS PAGE

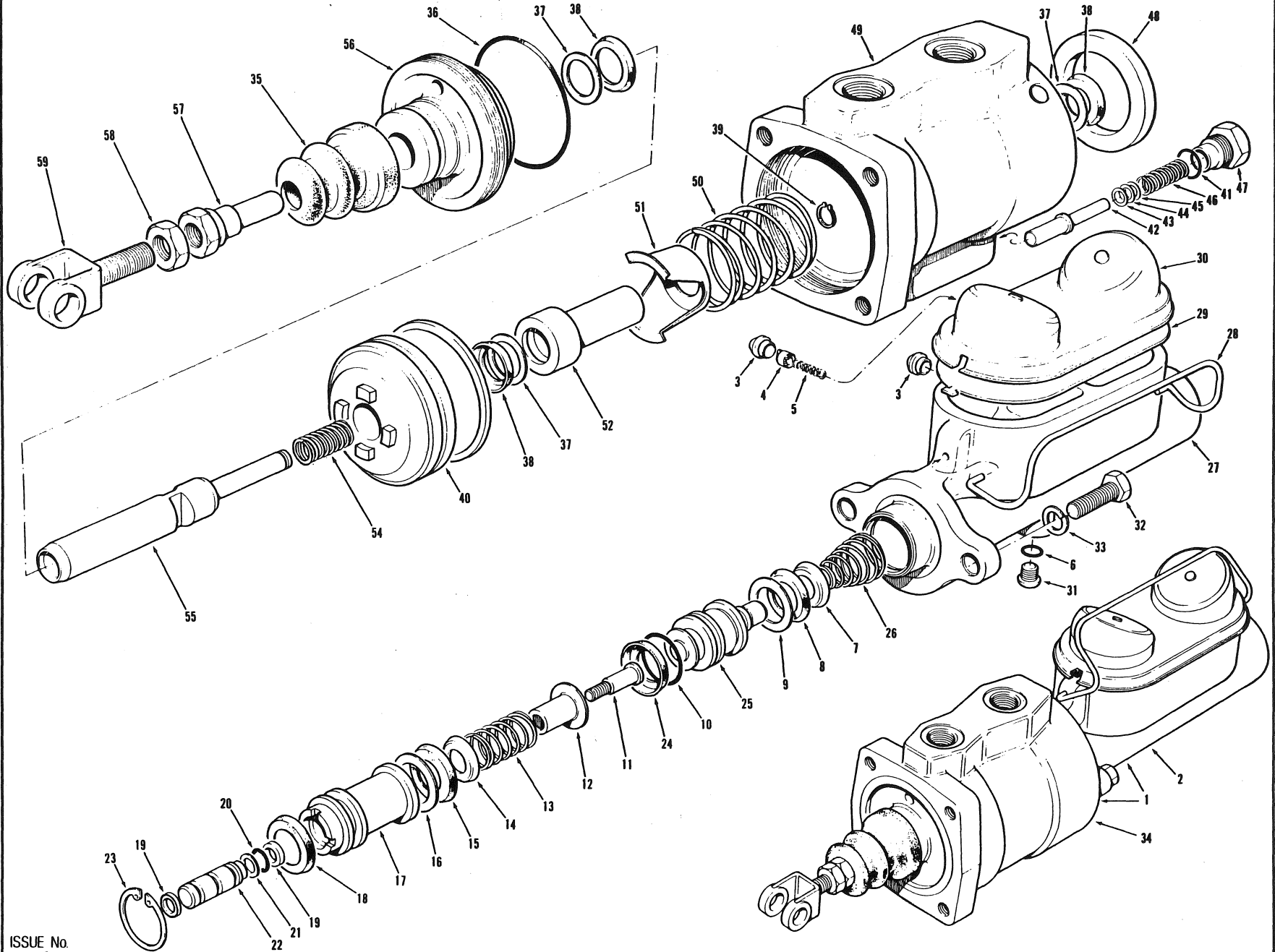
POUR LA LISTE DES PIÈCES - VOIR AU VERSO

PARA LA LISTA DE LAS PIEZAS - VER AL VERSO

USE ONLY CHAMPION ROAD MACHINERY APPROVED PARTS

SECTION SECCION		PAGE PAGINA		ISSUE No. N° D'ÉMISSION N° DE EDICION		3 REVISION A		MASTER CYLINDER & BOOSTER ASSEMBLY - POWER BRAKES		MAY 1990	
No. N° N°	PART No. N° DE PIÈCE N° DE PIEZA	DESCRIPTION DÉSCRIPTION DESCRIPCION	No. REQ. N° REQ. N° REQ.	REMARKS REMARQUES NOTAS	No. N° N°	PART No. N° DE PIÈCE N° DE PIEZA	DESCRIPTION DÉSCRIPTION DESCRIPCION	No. REQ. N° REQ. N° REQ.	REMARKS REMARQUES NOTAS		
1	49376	BRAKE MASTER CYLINDER & POWER BOOSTER ASSEMBLY - INCLUDES ITEMS 3 TO 46	1		23	36412	POWER BOOSTER ASSEMBLY - INCLUDES ITEMS 24 TO 45	1			
2	49310	BRAKE MASTER CYLINDER ASSEMBLY - INCLUDES ITEMS 3 TO 20	1			36494	REPAIR KIT - BOOSTER ASSEMBLY - INCLUDES ITEMS 24 TO 32 & 45	1 ea.			
	33931	REPAIR KIT - MASTER CYLINDER - INCLUDES ITEMS 3 TO 14	1 ea.		24		O RING	1			
3		RETAINING RING	1		25		PISTON RING	1			
4		CUP	1		26		O RING	1			
5		PISTON	1		27		SPRING	1			
6		BACK-UP RING	1		28		SPRING	1			
7		O RING	1		29		CUP	3			
8		PISTON	1		30		BACK-UP RING	3			
9		CUP	2		31		RETAINING RING	1			
10		CUP	1		32	36497	BOOT	1			
11		RETAINER	1		33	36498	PUSH ROD	1			
12		CHECK VALVE	1		34		END PLUG	1			
13		VALVE SEAT	1		35		PISTON	1			
14		SPRING	1		36		HOUSING	1			
15		HOUSING	1		37		PISTON	1			
16	49992	HOOK	1		38		VALVE STEM	1			
17	49993	COVER	1		39		SPRING	1			
18	49994	DIAPHRAM	1		40		PISTON	1			
19	105C-1208	WASHER	1		41		END PLUG	1			
20	105D-0408	CONNECTOR	1		42		RETAINER	1			
21	50A-0610	BOLT	3		43		SNUBBER	1			
22	14A-06	LOCKWASHER	3		44		RETAINING RING	1			
					45	*	RETAINING RING	1			
					46	36463	CLEVIS	1			
					47	31D-08	JAM NUT	1			

CHAMPION ROAD MACHINERY



EFFECTIVE SERIAL NUMBERS)
 NUMEROSI DE SÉRIE EFFECTIFS)
 NUMEROSI DE SERIE EFECTIVOS)

16224, 16245 & UP

700 SERIES
 SERIE 700

SECTION 9 PAGE 5
 SECCION 9 PAGINA 5

ISSUE No.
 N° D'ÉMISSION
 N° DE EDICION 1 REVISION A

MASTER CYLINDER & BOOSTER ASSEMBLY - DUAL BRAKES

MAY 1988

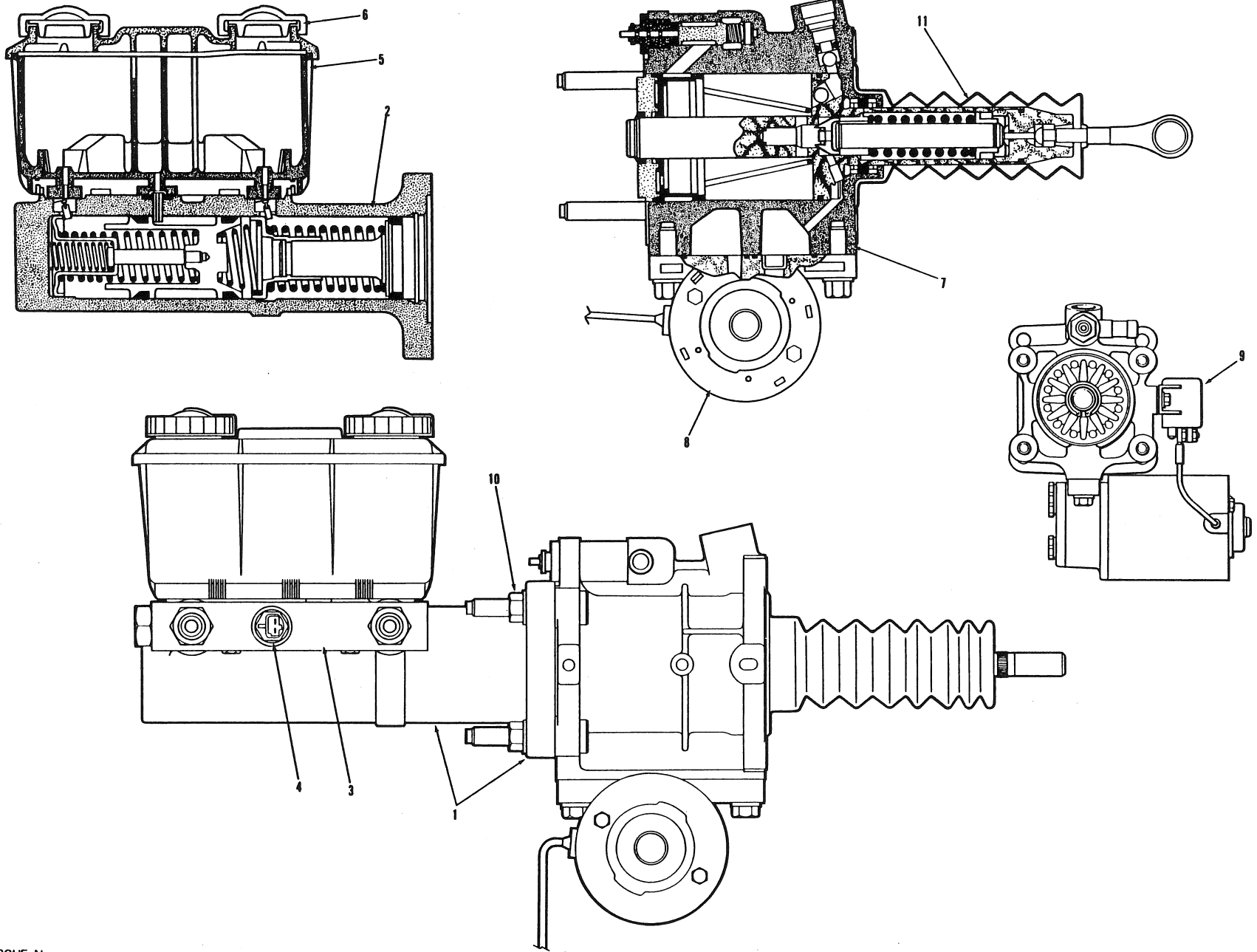
FOR LIST OF PARTS - TURN THIS PAGE

POUR LA LISTE DES PIÈCES - VOIR AU VERSO

PARA LA LISTA DE LAS PIEZAS - VER AL VERSO

USE ONLY CHAMPION ROAD MACHINERY APPROVED PARTS

SECTION SECCION	9	PAGE PAGINA	6	ISSUE No. N° D'ÉMISSION N° DE EDICION	1 REVISION A	MASTER CYLINDER & BOOSTER ASSEMBLY - DUAL BRAKES				MAY 1988
No. N° N°	PART No. N° DE PIECE N° DE PIEZA	DESCRIPTION DÉSCRIPTION DESCRIPCION	No. REQ N° REQ. N° REQ.	REMARKS REMARQUES NOTAS	No. N° N°	PART No. N° DE PIECE N° DE PIEZA	DESCRIPTION DÉSCRIPTION DESCRIPCION	No. REQ N° REQ. N° REQ.	REMARKS REMARQUES NOTAS	
1	27053	BRAKE MASTER CYLINDER & POWER BOOSTER ASSEMBLY - INCLUDES ITEMS 2 TO 57	1		34	28184	POWER BOOSTER ASSEMBLY - INCLUDES ITEMS 35 TO 47, 49 TO 57	1		
2	28185	BRAKE MASTER CYLINDER ASSEMBLY - INCLUDES ITEMS 3 TO 31	1			28183	REPAIR KIT - BOOSTER ASSEMBLY - INCLUDES ITEMS 35 TO 41	A.R.		
	28182	REPAIR KIT - MASTER CYLINDER - INCLUDES ITEMS 3 TO 24	A.R.		35	*7799	BOOT	1		
3		INSERT	2		36		O RING	1		
4		VALVE	2		37		BACK-UP RING	3		
5		SPRING	2		38		CUP	3		
6		O RING	1		39		RETAINING RING	1		
7		RETAINER	1		40		PISTON RING	1		
8		CUP	1		41		O RING	1		
9		WASHER	1		42		VALVE STEM	1		
10		O RING	1		43		SHIM	A.R.		
11		SCREW	1		44		SHIM	A.R.		
12		RETAINER	1		45		SHIM	A.R.		
13		SPRING	1		46		SPRING	1		
14		RETAINER	1		47		PLUG	1		
15		CUP	1		48	*49270	SPACER	1		
16		WASHER	1		49		HOUSING	1		
17		PISTON	1		50		SPRING	1		
18		CUP	1		51		RETAINER	1		
19		CUP	2		52		PISTON	1		
20		O RING	1		53		PISTON	1		
21		BACK-UP RING	1		54		SPRING	1		
22		PISTON	1		55		PISTON	1		
23		RETAINER RING	1		56		END PLUG	1		
24		CUP	1		57	*36498	PUSH ROD	1		
25		PISTON	1		58	31D-08	JAM NUT	1		
26		SPRING	1		59	36463	CLEVIS	1		
27		HOUSING	1							
28	*49269	HOOK	1							
29	*49267	DIAPHRAM	1							
30	*49268	COVER	1							
31		SCREW	1							
32	50A-0610	BOLT	2							
33	14A-06	LOCKWASHER	2							



USE ONLY **CHAMPION** APPROVED PARTS
ROAD MACHINERY

EFFECTIVE SERIAL NUMBER(S)
 NUMEROS(S) DE SERIE EFFECTIFS(S)
 NUMEROS(S) DE SERIE EFFECTIVO(S)

19431, 19458, 19565, 19566,
 19568 to 19578, 19580 to 19589,
 19591, 19592, 19594 to 19610,
 19612 to 19614, 19616, 19618 & UP

700 SERIES
SERIE 700

SECTION 9
SECTION 9
PAGE 5
PAGINA 5

ISSUE No.
 N° D'ÉMISSION
 N° DE EDICION

2 REVISION A

MASTER CYLINDER & BOOSTER ASSEMBLY - DRUM BRAKES

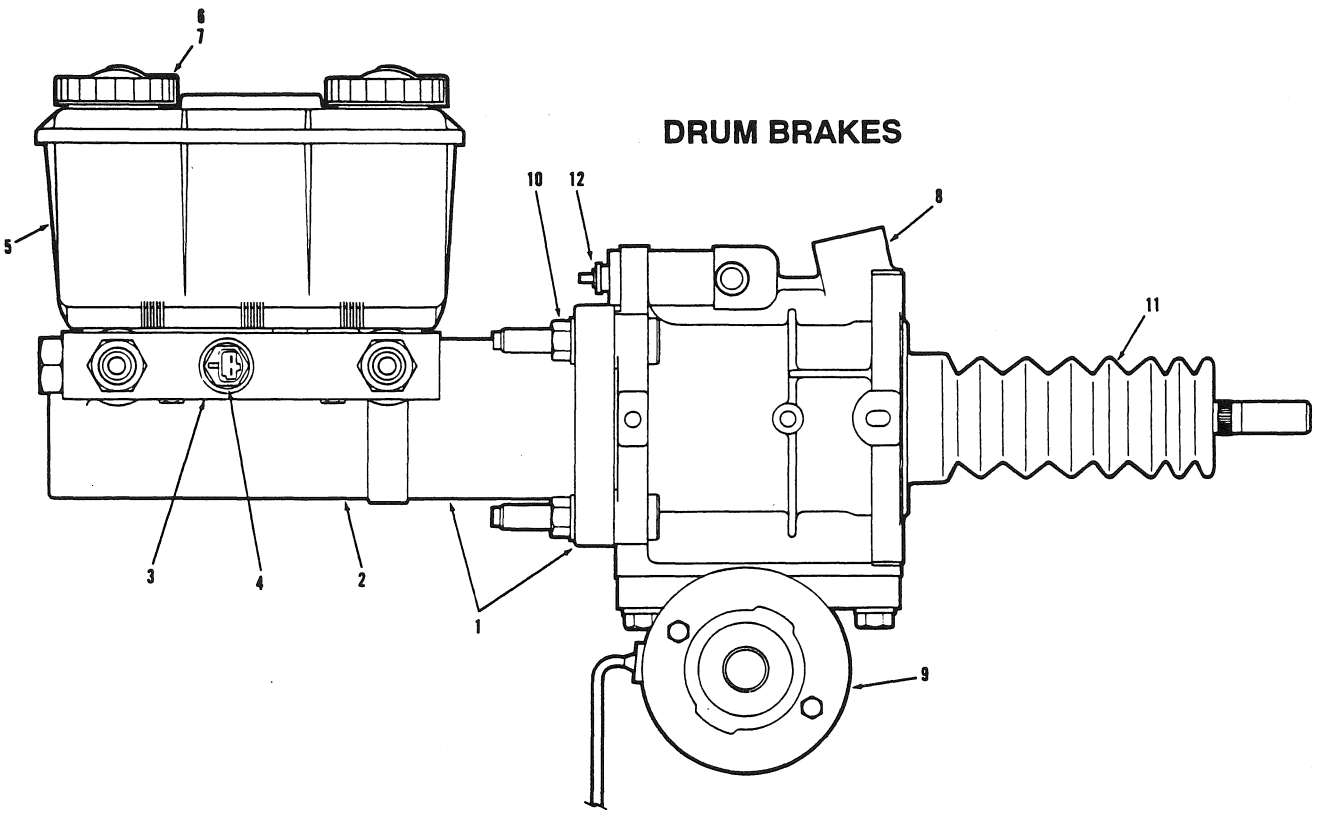
JUNE 1989

FOR LIST OF PARTS - TURN THIS PAGE

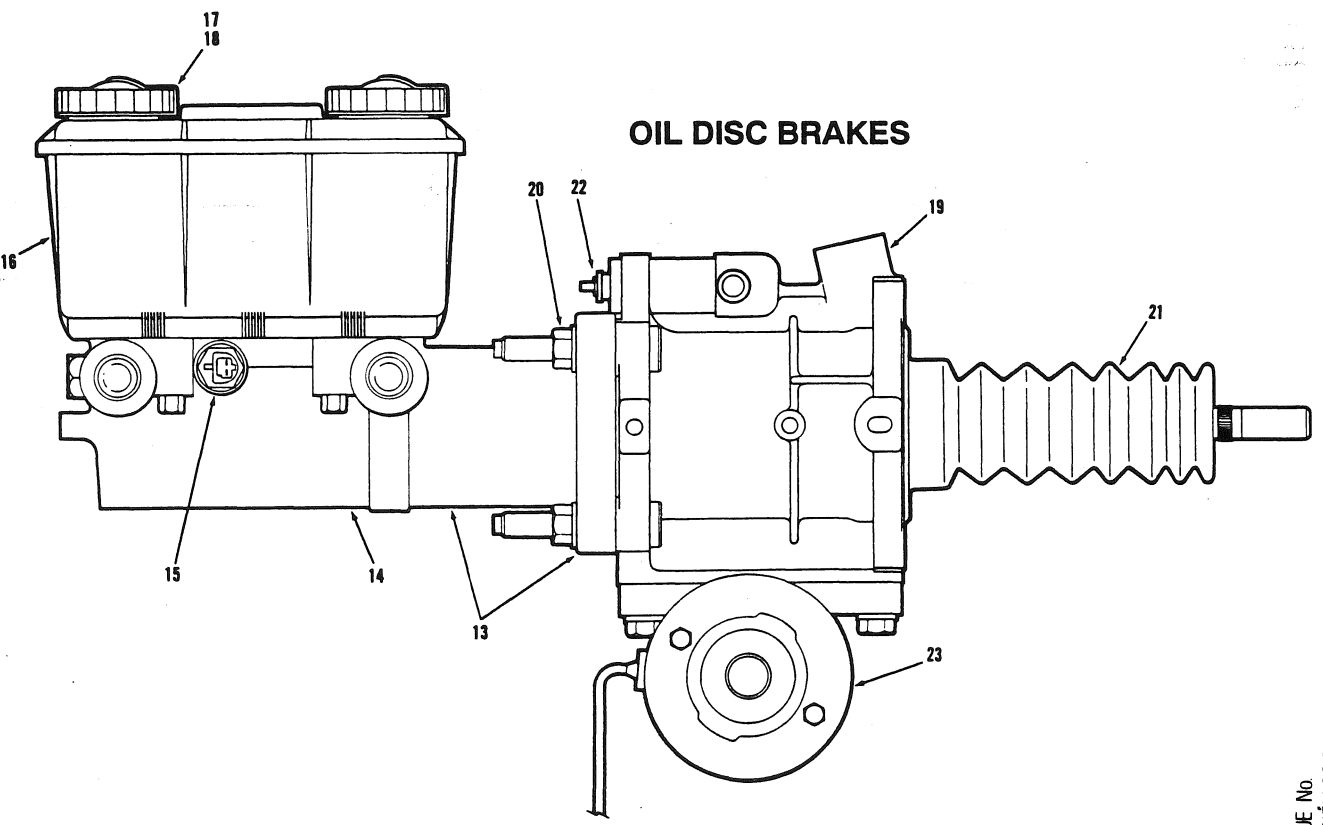
POUR LA LISTE DES PIÈCES - VOIR AU VERSO

PARA LA LISTA DE LAS PIEZAS - VER AL VERSO

SECTION SECCION		PAGE PAGINA		ISSUE No. N° D'ÉMISSION N° DE EDICION		2 REVISION A			MASTER CYLINDER & BOOSTER ASSEMBLY - DRUM BRAKES			JUNE 1989	
No. N° N°	PART No. N° DE PIÉCE N° DE PIEZA	DESCRIPTION DÉSCRIPTION DESCRIPCION		No. REQ. N° REQ. N° REQ.	REMARKS REMARQUES NOTAS	No. N° N°	PART No. N° DE PIÉCE N° DE PIEZA	DESCRIPTION DÉSCRIPTION DESCRIPCION		No. REQ. N° REQ. N° REQ.	REMARKS REMARQUES NOTAS		
1	49337	MASTER CYLINDER & POWER BOOSTER ASSY.		1									
2	53031	MASTER CYLINDER ASSY.		1									
	53032	REPAIR KIT - MASTER CYLINDER		1									
3	53033	PRESSURE SWITCH ASSY. - INCLUDES ITEM 4		1									
4	53034	SWITCH		1									
5	53035	RESERVOIR		1									
6	53036	CAP		1									
7	53037	POWER BOOSTER ASSY.		1									
8	53038	PUMP & MOTOR		1									
	53039	REPAIR KIT - POWER BOOSTER ASSY.		1									
9	*53043	RELAY		1									
10	*53044	NUT		4									
11	*53045	BOOT		1									



DRUM BRAKES



OIL DISC BRAKES

EFFECTIVE SERIAL NUMBER(S)
NUMERO(S) DE SÉRIE EFFECTIF(S)
NUMERO(S) DE SERIE EFECTIVO(S)

Models 710 thru 740A
21134 & UP
Models 750 thru 780A
21386 & UP

700 SERIES
SERIE 700

SECTION SECCION		PAGE PAGINA		ISSUE No. N° D'ÉMISSION N° DE EDICION		3 REVISION B		MASTER CYLINDER & BOOSTER ASSEMBLY			DECEMBER 1991	
No. N° N°	PART No. N° DE PIÉCE N° DE PIEZA	DESCRIPTION DESCRIPTION DESCRIPCION	No. REQ. N° REQ. N° REQ.	REMARKS REMARQUES NOTAS	No. N° N°	PART No. N° DE PIÉCE N° DE PIEZA	DESCRIPTION DESCRIPTION DESCRIPCION	No. REQ. N° REQ. N° REQ.	REMARKS REMARQUES NOTAS			
		DRUM BRAKES					OIL DISC BRAKES					
1	49337	MASTER CYLINDER & POWER BOOSTER ASSEMBLY	1		13	56864	MASTER CYLINDER & POWER BOOSTER ASSEMBLY	1				
2	53031	MASTER CYLINDER ASSEMBLY	1		14	58745	MASTER CYLINDER ASSEMBLY	1				
	53032	REPAIR KIT FOR 53031 - MASTER CYLINDER ASSEMBLY	1 per			58746	REPAIR KIT FOR 58745 - MASTER CYLINDER ASSEMBLY	1 per				
3	53033	PRESSURE SWITCH ASSEMBLY - INCLUDES ITEM 4	1		15	53034	SWITCH	1				
5	53035	RESERVOIR	1		16	58747	RESERVOIR	1				
6	53036	CAP	2		17	58748	CAP	2				
7	58858	DIAPHRAM	2		18	58749	DIAPHRAM	2				
8	53037	POWER BOOSTER ASSEMBLY	1		19	58750	POWER BOOSTER ASSEMBLY	1				
	53039	REPAIR KIT FOR 53037 - POWER BOOSTER ASSEMBLY	1 per		20	53044	NUT	1				
9	53038	PUMP & MOTOR	1		21	53045	BOOT	1				
10	53044	NUT	4		22	56260	FLOW SWITCH	1				
11	53045	BOOT	1		23	53038	PUMP & MOTOR	1				
12	56260	FLOW SWITCH	1									

CHAMPION ROAD MACHINERY

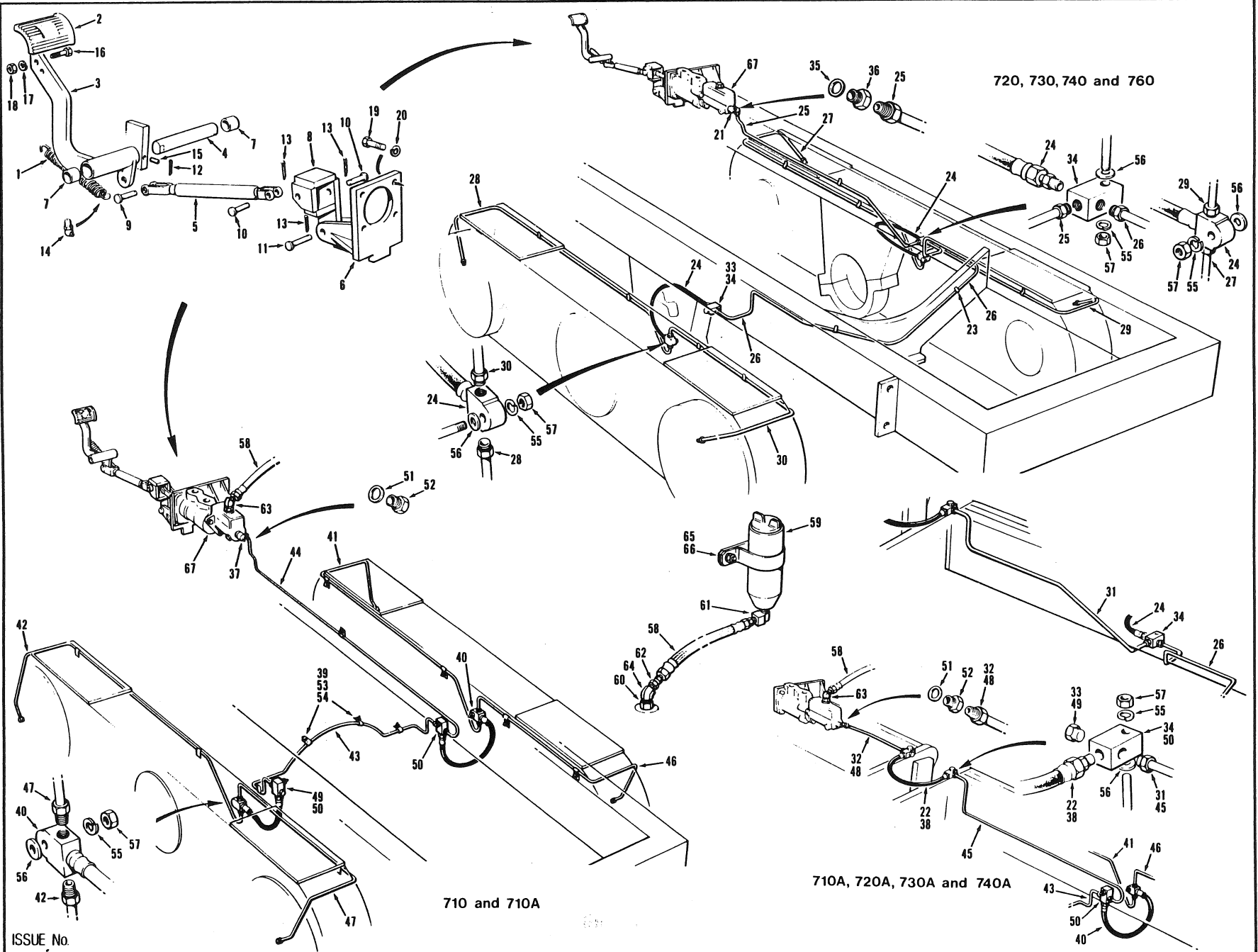
EFFECTIVE SERIAL NUMBERS) 16224, 16245 & UP
 NUMEROS) DE SÉRIE EFFECTIFS)
 NUMEROS) DE SERIE EFFECTIVOS)
 U.S. 2021-2 & UP

700 SERIES
 SERIE 700

SECTION
 SECTION

9
 PAGINA

7



720, 730, 740 and 760

710 and 710A

710A, 720A, 730A and 740A

ISSUE No.
 N° D'ÉMISSION
 N° DE EDICION 1 REVISION A

BRAKE PEDAL & CIRCUIT INSTALLATION - POWER BRAKES

NOVEMBER 1985

FOR LIST OF PARTS - TURN THIS PAGE

POUR LA LISTE DES PIÈCES - VOIR AU VERSO

PARA LA LISTA DE LAS PIEZAS - VER AL VERSO

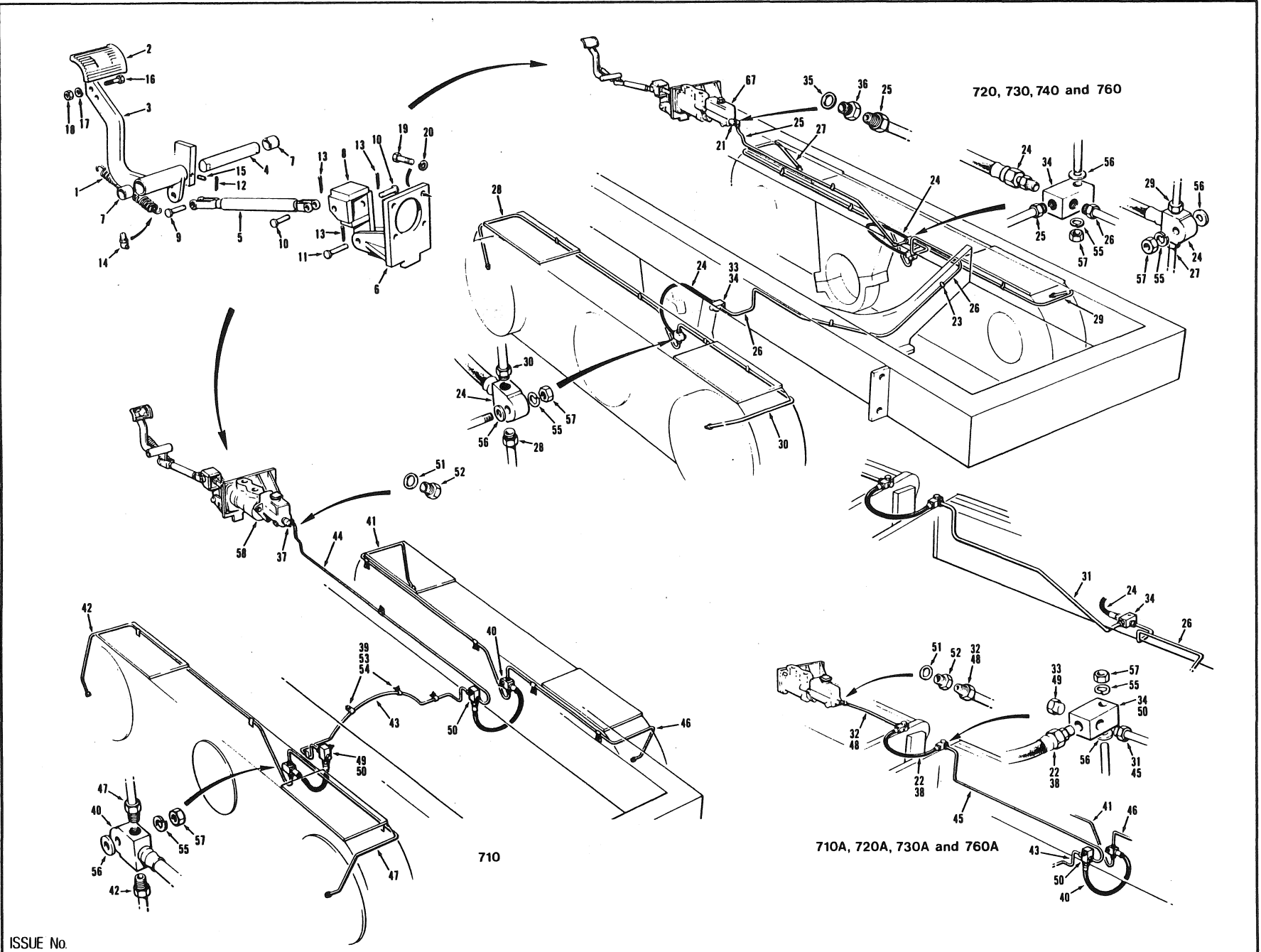
USE ONLY CHAMPION ROAD MACHINERY APPROVED PARTS

SECTION SECCION 9		PAGE PAGINA 8	ISSUE No. N° D'ÉMISSION N° DE EDICION	1 REVISION A	BRAKE PEDAL & CIRCUIT INSTALLATION - POWER BRAKES			NOVEMBER 1985	
No. N° N°	PART No. N° DE PIÈCE N° DE PIEZA	DESCRIPTION DÉSCRIPTION DESCRIPCION	No. REQ. N° REQ. N° REQ.	REMARKS REMARQUES NOTAS	No. N° N°	PART No. N° DE PIECE N° DE PIEZA	DESCRIPTION DÉSCRIPTION DESCRIPCION	No. REQ. N° REQ. N° REQ.	REMARKS REMARQUES NOTAS
<u>BRAKE PEDAL INSTALLATION</u>					<u>BRAKE CIRCUIT INSTALLATION MODEL 710 & 710A</u>				
1	670	SPRING	1						
2	28646	PAD	1		37	1684	SWITCH - BRAKE LIGHT	1	
3	28742	LEVER	1		38	24223 X 17	HOSE	1	710A
4	28744	SHAFT	1		39	25168	CLIP - SINGLE	A.R.	
5	32417	ROD	1		40	32179	HOSE	2	
6	32421	PIVOT MOUNT	1	UP TO APROX S/N 16758 & U.S. 2278-2	41	32220	TUBE - FRONT - R.H.	1	} 2 & 4 WHEEL BRAKES
					42	32221	TUBE - FRONT - L.H.	1	
7	32824	BUSHING	2		43	32840	TUBE	1	
8	36458	WALKING BEAM	1		44	32841	TUBE	1	710
9	10A-0616	CLEVIS PIN	1		45	32842	TUBE	1	710A
10	10A-0820	CLEVIS PIN	2		46	32904	TUBE - REAR - R.H.	1	} 4 WHEEL BRAKES
11	10A-0828	CLEVIS PIN	1		47	32905	TUBE - REAR - L.H.	1	
12	13A-0316	COTTER PIN	1		48	36366	TUBE	1	710A
13	13A-0420	COTTER PIN	3		49	100C-04	PLUG	A.R.	
14	29B-01	GREASE FITTING	1		50	105B-0404	CONNECTOR	2	710
15	70B-0405	SET SCREW	2					4	710A
16	50A-0610	BOLT	2		51	105C-1208	WASHER	1	
17	14A-06	LOCKWASHER	2		52	105D-0408	ADAPTER	1	
18	30A-06	NUT	2		53	14A-04	LOCKWASHER	A.R.	
19	50A-0718	BOLT	4		54	30A-04	NUT	A.R.	
20	14A-07	LOCKWASHER	4		55	14A-05	LOCKWASHER	A.R.	
<u>BRAKE CIRCUIT INSTALLATION MODEL 720, 720A, 730, 730A, 740, 740A & 760</u>					56	14C-05	FLATWASHER	A.R.	
					57	30A-05	NUT	A.R.	
					<u>MASTER CYLINDER RESERVOIR INSTALLATION</u>				
21	1684	SWITCH - BRAKE LIGHT	1		58	24223 X 17	HOSE	1	
22	24223 X 17	HOSE	1	720A, 730A & 740A	59	28958	AUXILIARY RESERVOIR	1	
23	25168	CLIP - SINGLE	A.R.		60	28959	FILLER CAP - UNVENTED	1	
24	*25169	CLIP - DOUBLE	A.R.		61	100J-0402	CONNECTOR	1	
25	32179	HOSE	2		62	100D-0402	CONNECTOR	1	
26	32181	TUBE	1	720, 730, 740 & 760	63	100H-0402	CONNECTOR	1	} AS REQUIRED
27	32182	TUBE	1		64	103N-02	CONNECTOR	1	
28	*32220	TUBE - FRONT - R.H.	1		65	14A-06	LOCKWASHER	1	
29	*32221	TUBE - FRONT - L.H.	1		66	30A-06	NUT	1	
30	*32904	TUBE - REAR - R.H.	1		67		MASTER CYLINDER ASSEMBLY	REF.	SECTION 9 PAGE 3/4
31	*32905	TUBE - REAR - L.H.	1	720A, 730A & 740A					
32	32207	TUBE	1						
33	36366	TUBE	1						
34	100C-04	PLUG	A.R.						
35	105B-0404	CONNECTOR	A.R.						
36	105C-1208	WASHER	1						
	105D-0408	ADAPTER	1						

EFFECTIVE SERIAL NUMBERS) 1 7049 & UP
NUMEROS) DE SERIE EFFECTIFS)
NUMEROS) DE SERIE EFFECTIVOS)
U.S. 2515-2 & UP

700 SERIES
SERIE 700

SECTION 9 PAGE
SECCION 9 PAGINA 7



ISSUE No.
Nº D'ÉMISSION
Nº DE EDICION 2

BRAKE PEDAL & CIRCUIT INSTALLATION - POWER BRAKES

MAY 1986

FOR LIST OF PARTS - TURN THIS PAGE

POUR LA LISTE DES PIÈCES - VOIR AU VERSO

PARA LA LISTA DE LAS PIEZAS - VER AL VERSO

USE ONLY CHAMPION ROAD MACHINERY APPROVED PARTS

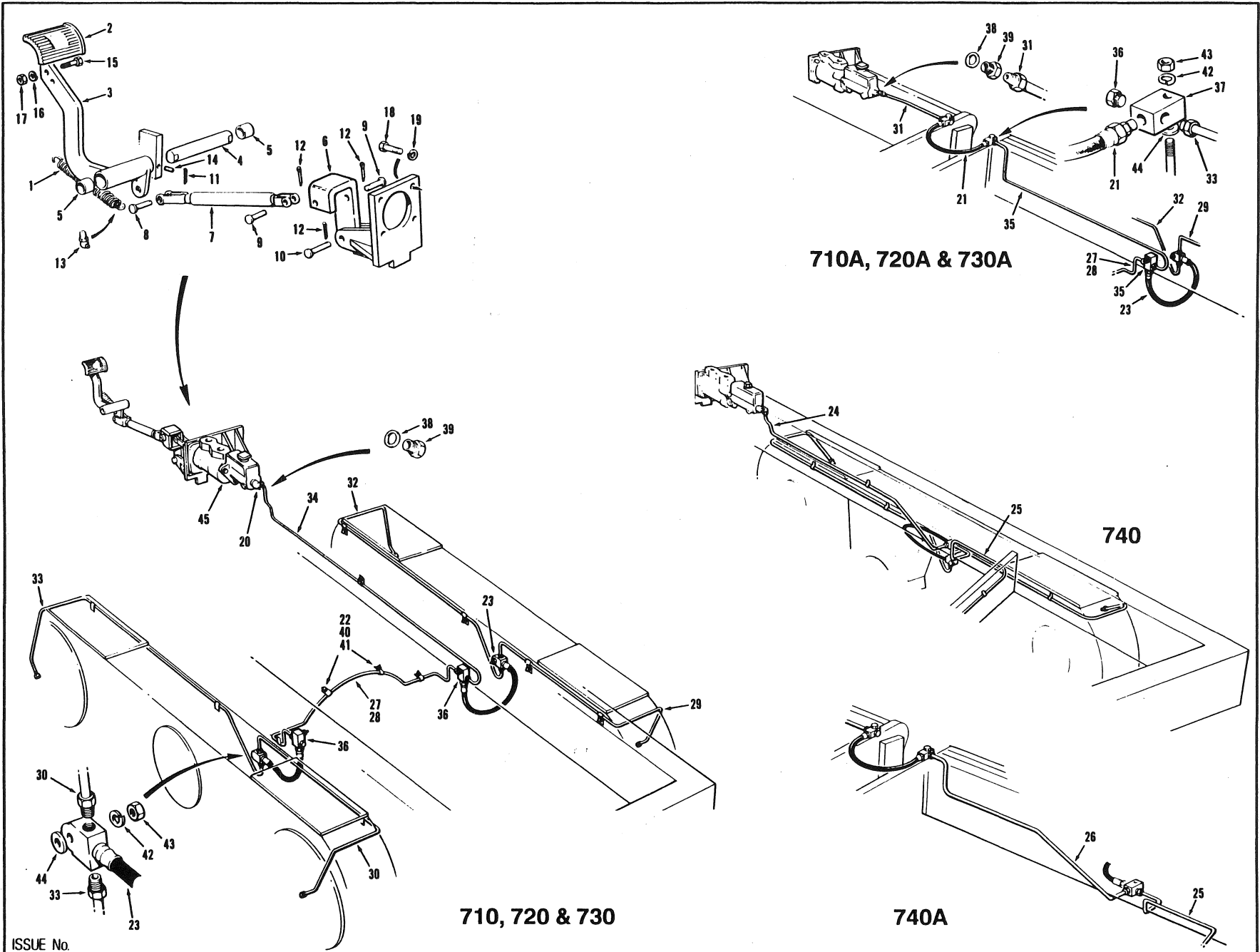
SECTION SECCION 9		PAGE PAGINA 8	ISSUE No. N° D'ÉMISSION N° DE EDICION 2	BRAKE PEDAL & CIRCUIT INSTALLATION - POWER BRAKES				MAY 1986	
No. N° N°	PART No. N° DE PIÈCE N° DE PIEZA	DESCRIPTION DÉSCRIPTION DESCRIPCION	No. REQ. N° REQ. N° REQ.	REMARKS REMARQUES NOTAS	No. N° N°	PART No. N° DE PIÈCE N° DE PIEZA	DESCRIPTION DÉSCRIPTION DESCRIPCION	No. REQ. N° REQ. N° REQ.	REMARKS REMARQUES NOTAS
<u>BRAKE PEDAL INSTALLATION</u>					<u>BRAKE CIRCUIT INSTALLATION MODEL 710 & 710A</u>				
1	670	SPRING	1						
2	28646	PAD	1		37	1684	SWITCH - BRAKE LIGHT	1	
3	28742	LEVER	1		38	24223 X 17	HOSE	1	710A
4	28744	SHAFT	1		39	25168	CLIP - SINGLE	A.R.	
5	32417	ROD	1		40	32179	HOSE	2	
6	32421	PIVOT MOUNT	1	UP TO APROX. S/N 16758 & U.S. 2278-2	41	32220	TUBE - FRONT - R.H.	1	} 2 & 4 WHEEL BRAKES
					42	32221	TUBE - FRONT - L.H.	1	
7	32824	BUSHING	2		43	32840	TUBE	1	
8	36458	WALKING BEAM	1		44	32841	TUBE	1	710
9	10A-0616	CLEVIS PIN	1		45	32842	TUBE	1	710A
10	10A-0820	CLEVIS PIN	2		46	32904	TUBE - REAR - R.H.	1	} 4 WHEEL BRAKES
11	10A-0828	CLEVIS PIN	1		47	32905	TUBE - REAR - L.H.	1	
12	13A-0316	COTTER PIN	1		48	36366	TUBE	1	710A
13	13A-0420	COTTER PIN	3						
14	29B-01	GREASE FITTING	1		49	100C-04	PLUG	A.R.	
15	70B-0405	SET SCREW	2		50	105B-0404	CONNECTOR	2	710
16	50A-0610	BOLT	2		51	105C-1208	WASHER	1	710A
17	14A-06	LOCKWASHER	2		52	105D-0408	ADAPTER	1	
18	30A-06	NUT	2						
19	50A-0718	BOLT	4		53	14A-04	LOCKWASHER	A.R.	
20	14A-07	LOCKWASHER	4		54	30A-04	NUT	A.R.	
					55	14A-05	LOCKWASHER	A.R.	
					56	14C-05	FLATWASHER	A.R.	
					57	30A-05	NUT	A.R.	
					58		MASTER CYLINDER ASSEMBLY	REF.	SECTION 9 PAGE 3/4
21	1684	SWITCH - BRAKE LIGHT	1						
22	24223 X 17	HOSE	1	720A, 730A 740A, 760A					
23	25168	CLIP - SINGLE	A.R.						
	25169	CLIP - DOUBLE	A.R.						
24	32179	HOSE	2						
25	32181	TUBE	1	720, 730, 740 & 760					
26	32182	TUBE	1						
27	32220	TUBE - FRONT - R.H.	1						
28	32221	TUBE - FRONT - L.H.	1						
29	32904	TUBE - REAR - R.H.	1						
30	32905	TUBE - REAR - L.H.	1						
31	32207	TUBE	1	720A, 730A					
32	36366	TUBE	1	740A, 760A					
33	100C-04	PLUG	A.R.						
34	105B-0404	CONNECTOR	A.R.						
35	105C-1208	WASHER	1						
36	105D-0408	ADAPTER	1						

EFFECTIVE SERIAL NUMBERS)
 NUMEROSI DE SÉRIE EFFECTIFS)
 NUMEROSI DE SÉRIE EFFECTIVOS)

SEE OVER

700 SERIES
 SERIE 700

SECTION 9 PAGE 7
 SECTION 9 PAGINA 7



710A, 720A & 730A

740

710, 720 & 730

740A

BRAKE PEDAL & CIRCUIT INSTALLATION - POWER BRAKES - MODELS 710 THRU 740A

ISSUE No.
 N° D'ÉMISSION
 N° DE EDICION 3

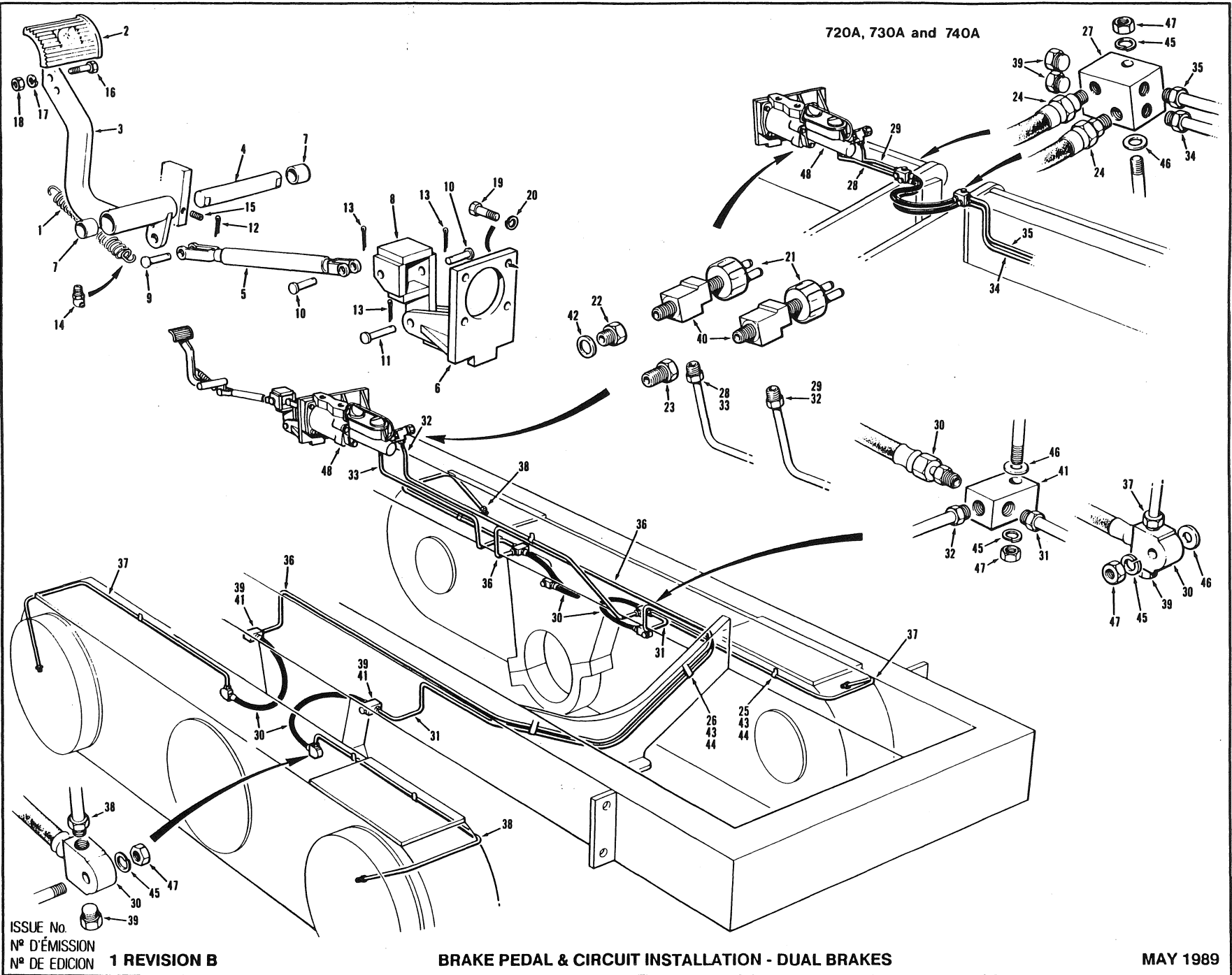
APRIL 1989

FOR LIST OF PARTS - TURN THIS PAGE POUR LA LISTE DES PIÈCES - VOIR AU VERSO PARA LA LISTA DE LAS PIEZAS - VFR AL VERSO

USE ONLY CHAMPION ROAD MACHINERY APPROVED PARTS

SECTION SECCION	9	PAGE PAGINA	8	ISSUE No. N° D'ÉMISSION N° DE EDICION	3	BRAKE PEDAL & CIRCUIT INSTALLATION -POWER BRAKES - MODELS 710 THRU 740A	APRIL 1989		
No. N° N°	PART No. N° DE PIÈCE N° DE PIEZA	DESCRIPTION DÉSCRIPTION DESCRIPCION	No. REQ. N° REQ. N° REQ.	REMARKS REMARQUES NOTAS	No. N° N°	PART No. N° DE PIECE N° DE PIEZA	DESCRIPTION DÉSCRIPTION DESCRIPCION	No. REQ. N° REQ. N° REQ.	REMARKS REMARQUES NOTAS
<u>BRAKE PEDAL INSTALLATION</u>									
1	670	SPRING	1		36	100C-04	PLUG	A.R.	
2	28646	PAD	1		37	105B-0404	CONNECTOR	A.R.	
3	28742	LEVER	1		38	105C-1208	WASHER	1	
4	28744	SHAFT	1		39	105D-0408	ADAPTER	1	
5	32824	BUSHING	2		40	14A-04	LOCKWASHER	A.R.	
6	*44620	WALKING BEAM	1		41	30A-04	NUT	A.R.	
7	*44638	ROD	1		42	14A-05	LOCKWASHER	A.R.	
8	*10A-0618	CLEVIS PIN	1		43	30A-05	NUT	A.R.	
9	10A-0820	CLEVIS PIN	2		44	*14C-06	FLATWASHER	A.R.	
10	10A-0828	CLEVIS PIN	1		45		MASTER CYLINDER ASSEMBLY	REF.	SECTION 9 PAGE 4
11	13A-0316	COTTER PIN	1						
12	13A-0420	COTTER PIN	3						
13	*29F-01	GREASE FITTING	1						
14	*70F-0405	SET SCREW	2						
<u>EFFECTIVE SERIAL NUMBERS</u>									
15	*50A-0612	BOLT	2		MODELS 710/710A S/N				
16	14A-06	LOCKWASHER	2				19492, 19486, 19487, 19488, 19494, 19507, 19508, 19521, 19528, 19529, 19541, 19543, 19544, 19549, 19551, 19553, 19555, 19558, 19559, 19560, 19561, 19567 & 19579.		
17	30A-06	NUT	2						
18	*50A-0714	BOLT	4						
19	14A-07	LOCKWASHER	4						
<u>BRAKE CIRCUIT INSTALLATION</u>									
20	1684	SWITCH - BRAKE LIGHT	1		MODELS 720/720A S/N				
21	24223 X 17	HOSE	1	ARTIC.			19429, 19430, 19432, 19434, 19439, 19441, 19441, 19444, 19445, 19446, 19447, 19449, 19450, 19451, 19455, 19456, 19468, 19469, 19470, 19471, 19483, 19496, 19498, 19500, 19501, 19502, 10503, 19509, 19510, 19515, 19516, 19519, 19520, 19523, 19526, 19530, 19531, 19536, 19540, 19542, 19545 & 19546.		
22	25168	CLIP - SINGLE	A.R.						
23	25169	CLIP - DOUBLE	A.R.						
24	32179	HOSE	2						
25	32181	TUBE	1	740					
26	32182	TUBE	1	740/740A					
27	32207	TUBE	1	740A					
28	*48860	TUBE	1	730/730A					
29	*49646	TUBE	1	710 THRU 720A					
30	*49657	TUBE - REAR - R.H.	1	RIGID	MODELS 730/730A S/N				
31	*49658	TUBE - REAR - L.H.	1	RIGID			19425, 19427, 19443, 19448, 19463, 19464, 19466, 19467, 19472, 19474, 19478, 19493, 19507, 19511, 19533, 19534, 19538, 19547, 19550, 19564, 19590, 19593, & 19611.		
32	*49667	TUBE	1	ARTIC.					
33	*49668	TUBE - FRONT - R.H.	1	RIGID					
34	*49669	TUBE - FRONT - L.H.	1	RIGID					
35	*49670	TUBE	1	RIGID	MODELS 740/740A S/N				
36	*49671	TUBE	1	ARTIC.			17049 TO 19613		

720A, 730A and 740A



EFFECTIVE SERIAL NUMBER(S)
 NUMEROS(S) DE SERIE EFFECTIFS(S)
 U.S. 2021-2 to 2658-2

16224, 16245 to 19417

700 SERIES
 SERIE 700

SECTION 9
 SECTION 9
 PAGE 9
 PAGINA 9

ISSUE No.
 N° D'ÉMISSION
 N° DE EDICION 1 REVISION B

BRAKE PEDAL & CIRCUIT INSTALLATION - DUAL BRAKES

MAY 1989

FOR LIST OF PARTS - TURN THIS PAGE

POUR LA LISTE DES PIÈCES - VOIR AU VERSO

PARA LA LISTA DE LAS PIEZAS - VER AL VERSO

USE ONLY

 CHAMPION ROAD MACHINERY
 APPROVED PARTS

SECTION 9		PAGE 10	ISSUE No. N° D'ÉMISSION N° DE EDICION	1 REVISION B	BRAKE PEDAL & CIRCUIT INSTALLATION - DUAL BRAKES			MAY 1989	
No. N° N°	PART No. N° DE PIÈCE N° DE PIEZA	DESCRIPTION DESCRIPTION DESCRIPCION	No. REQ. N° REQ. N° REQ.	REMARKS REMARQUES NOTAS	No. N° N°	PART No. N° DE PIÈCE N° DE PIEZA	DESCRIPTION DESCRIPTION DESCRIPCION	No. REQ. N° REQ. N° REQ.	REMARKS REMARQUES NOTAS
<u>BRAKE PEDAL INSTALLATION</u>									
1	670	SPRING	1		39	100C-04	PLUG	A.R.	
2	28646	PAD	1		40	100M-0402	TEE	2	
3	28742	LEVER	1		41	105B-0404	CONNECTOR	4	
4	28744	SHAFT	1		42	*18823	WASHER	1	
5	32417	ROD	1		43	14A-04	LOCKWASHER	A.R.	
6	32421	PIVOT MOUNT	1	UP TO APROX. S/N 16758 & U.S. 2278-2	44	30A-04	NUT	A.R.	
7	32824	BUSHING	2		45	14A-05	LOCKWASHER	A.R.	
8	36458	WALKING BEAM	1		46	14C-05	FLATWASHER	A.R.	
9	10A-0616	CLEVIS PIN	1		47	30A-05	NUT	A.R.	
10	10A-0820	CLEVIS PIN	2		48		MASTER CYLINDER ASSEMBLY	REF.	SECTION 9 PAGE 5/6
11	10A-0828	CLEVIS PIN	1						
12	13A-0316	COTTER PIN	1						
13	13A-0420	COTTER PIN	3						
14	29B-01	GREASE FITTING	1						
15	70B-0405	SET SCREW	2						
16	50A-0610	BOLT	2						
17	14A-06	LOCKWASHER	2						
18	30A-06	NUT	2						
19	50A-0718	BOLT	4						
20	14A-07	LOCKWASHER	4						
<u>BRAKE CIRCUIT INSTALLATION</u>									
21	1684	SWITCH - BRAKE LIGHT	2						
22	23306	PLUG - MODIFIED	1						
23	23307	CONNECTOR - MODIFIED	1						
24	24223 X 17	HOSE	2	720A, 730A & 740A					
25	25168	CLIP - SINGLE	A.R.						
26	25169	CLIP - DOUBLE	A.R.						
27	25211	JUNCTION	2						
28	32177	TUBE	1	720A, 730A & 740A					
29	32178	TUBE	1						
30	32179	HOSE	4						
31	32182	TUBE	1						
32	32189	TUBE	1	720, 730, 740 & 760					
33	32190	TUBE	1						
34	32191	TUBE	1	720A, 730A & 740A					
35	32192	TUBE	1						
36	32193	TUBE	1						
37	32904	TUBE - REAR R.H. & FRONT L.H.	2						
38	32905	TUBE - REAR L.H. & FRONT R.H.	2						

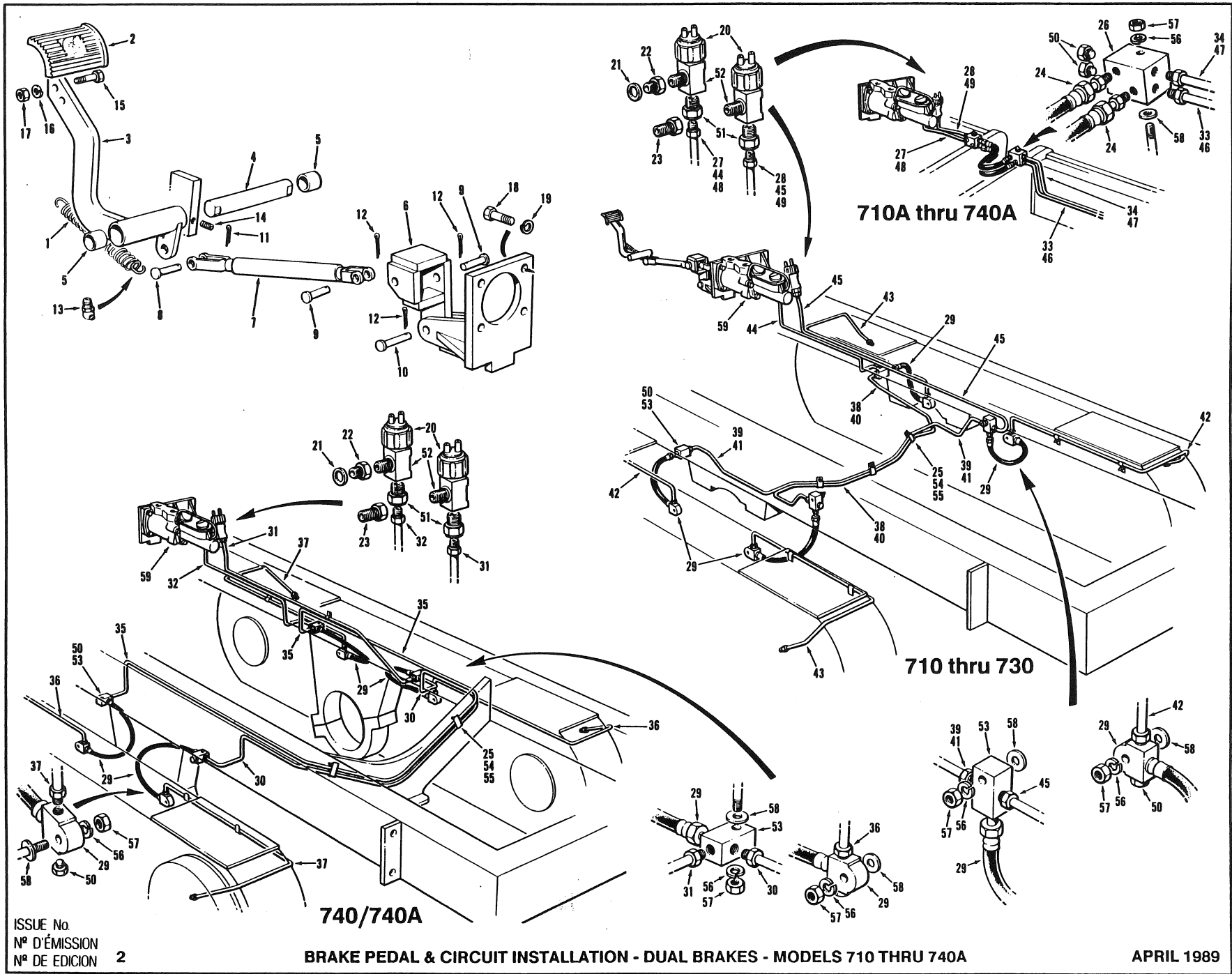
CHAMPION ROAD MACHINERY

EFFECTIVE SERIAL NUMBERS)
 NUMEROSI DE SERIE EFFECTIFS)
 NUMEROSI DE SERIE EFFECTIVOS)

SEE OVER

700 SERIES
 SERIE 700

SECTION 9
 SECCION 9
 PAGE 9
 PAGINA 9



ISSUE No.
 N° D'ÉMISSION
 N° DE EDICION 2

BRAKE PEDAL & CIRCUIT INSTALLATION - DUAL BRAKES - MODELS 710 THRU 740A

APRIL 1989

FOR LIST OF PARTS - TURN THIS PAGE

POUR LA LISTE DES PIÈCES - VOIR AU VERSO

PARA LA LISTA DE LAS PIEZAS - VER AL VERSO

USE ONLY CHAMPION ROAD MACHINERY APPROVED PARTS

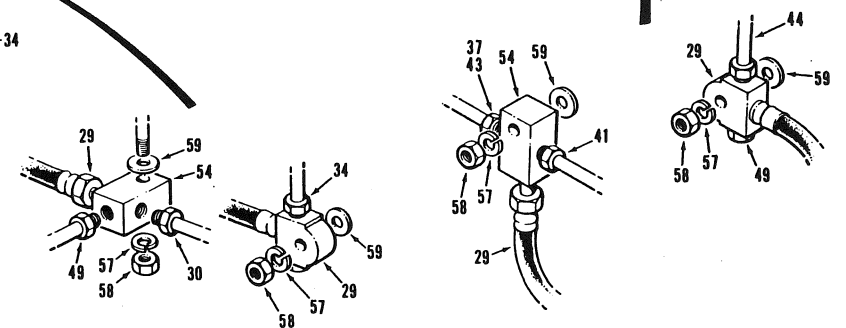
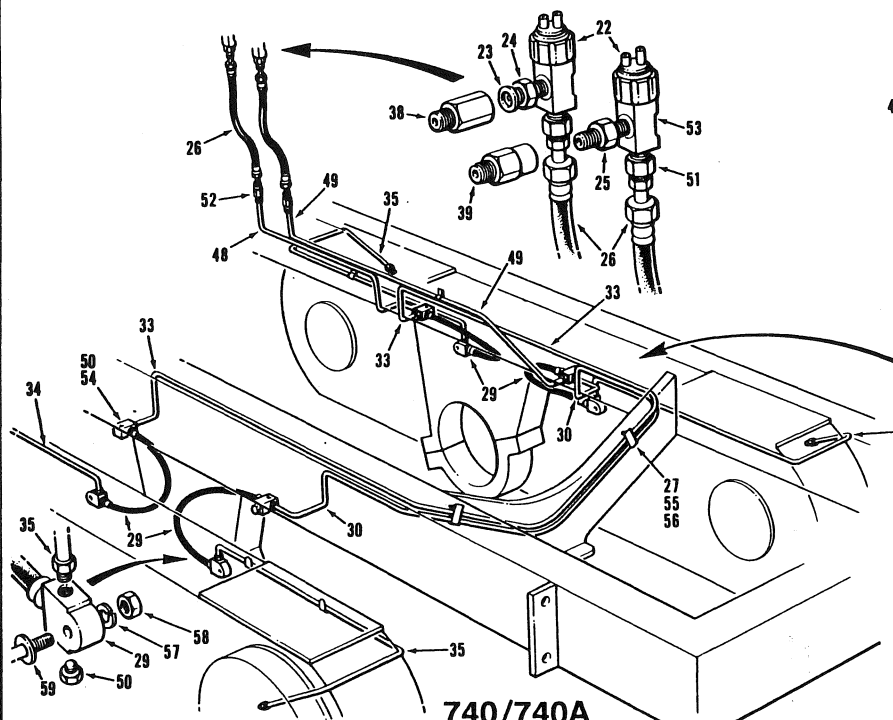
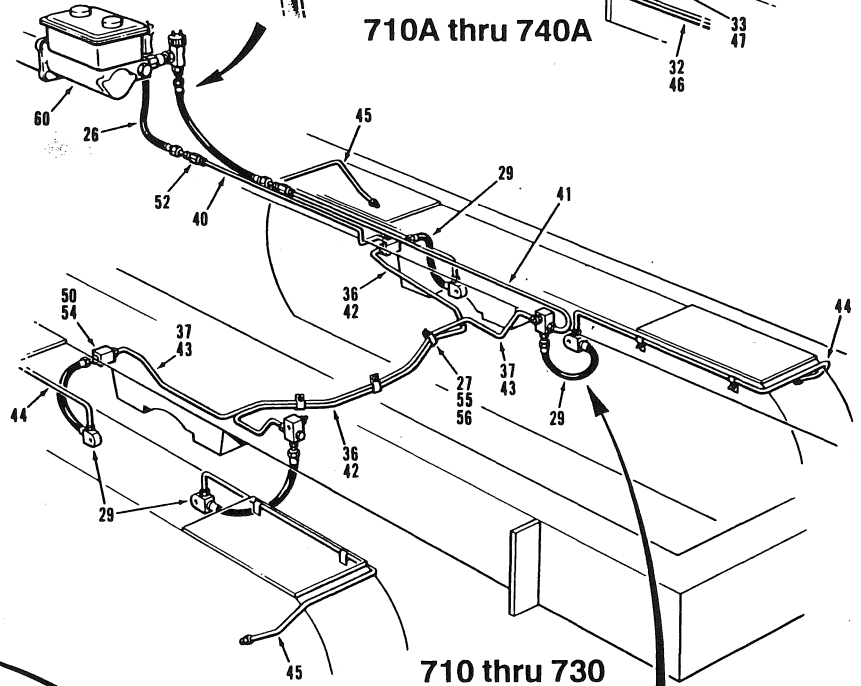
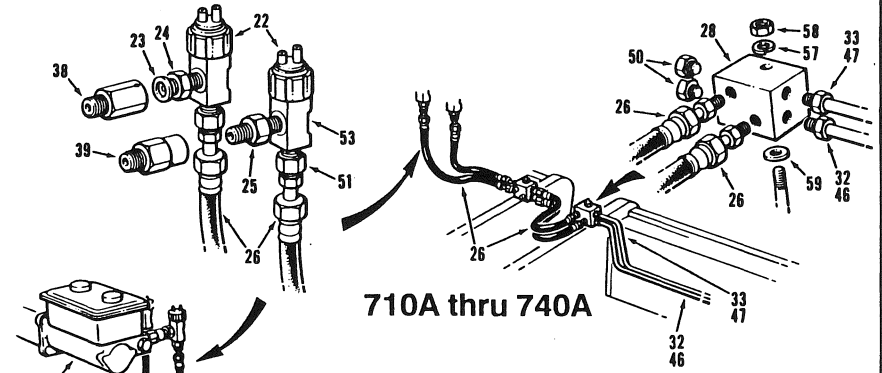
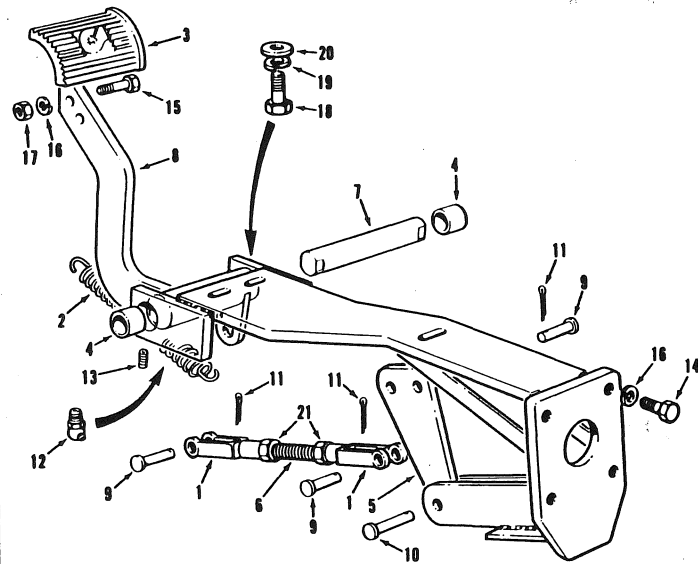
SECTION SECCION		PAGE PAGINA		ISSUE No. N° D'ÉMISSION N° DE EDICION		BRAKE PEDAL & CIRCUIT INSTALLATION - DUAL BRAKES - MODELS 710 THRU 740A				APRIL 1989	
No. N° N°	PART No. N° DE PIÈCE N° DE PIEZA	DESCRIPTION DÉSCRIPTION DESCRIPCION	No. REQ. N° REQ. N° REQ.	REMARKS REMARQUES NOTAS	No. N° N°	PART No. N° DE PIECE N° DE PIEZA	DESCRIPTION DÉSCRIPTION DESCRIPCION	No. REQ. N° REQ. N° REQ.	REMARKS REMARQUES NOTAS		
BRAKE PEDAL INSTALLATION											
1	670	SPRING	1		38	*48858	TUBE	1	730/730A		
2	28646	PAD	1		39	*48859	TUBE	1	730/730A		
3	28742	LEVER	1		40	*49644	TUBE	1	710 THRU		
4	28744	SHAFT	1		41	*49645	TUBE	1	720A		
5	32824	BUSHING	2		42	*49657	TUBE - REAR R.H. & FRONT L.H.	2	710 THRU		
6	*44620	WALKING BEAM	1		43	*49658	TUBE - REAR L.H. & FRONT R.H.	2	730A		
7	*44638	ROD	1		44	*49661	TUBE	1	710 THRU		
8	10A-0818	CLEVIS PIN	1		45	*49662	TUBE	1	730		
9	10A-0820	CLEVIS PIN	2		46	*49663	TUBE	1			
10	10A-0828	CLEVIS PIN	1		47	*49664	TUBE	1	710A THRU		
11	13A-0316	COTTER PIN	1		48	*49665	TUBE	1	730A		
12	13A-0420	COTTER PIN	3		49	*49666	TUBE	1			
13	*29F-01	GREASE FITTING	1		50	100C-04	PLUG	6 or 10			
14	70F-0405	SET SCREW	2		51	*100D-0402	CONNECTOR	2			
					52	*103S-02	TEE	2			
15	50A-0610	BOLT	2		53	105B-0404	TEE	4			
16	14A-08	LOCKWASHER	2								
17	30A-06	NUT	2		54	14A-04	LOCKWASHER	A.R.			
18	50A-0714	BOLT	4		55	30A-04	NUT	A.R.			
19	14A-07	LOCKWASHER	4		56	14A-05	LOCKWASHER	A.R.			
					57	30A-05	NUT	A.R.			
					58	*14C-06	FLATWASHER	A.R.			
BRAKE CIRCUIT INSTALLATION											
20	1684	SWITCH - BRAKE LIGHT	2		59		MASTER CYLINDER ASSEMBLY	REF.	SECTION 9		
21	*18823	GASKET - COPPER	1						PAGE 6		
22	23306	CONNECTOR - MODIFIED	1								
23	23307	CONNECTOR - MODIFIED	1								
24	24223X17	HOSE	2	710A THRU 740A							
25	25169	CLIP - DOUBLE	A.R.								
26	25211	JUNCTION	2	710A THRU 740A		MODELS 710/710A	19482 ONLY				
27	32177	TUBE	1	740A		MODELS	19429 ONLY				
28	32178	TUBE	1	740A		720/720A					
29	32179	HOSE	4								
30	32182	TUBE	1	740/740A		MODELS	19425 TO 19428, 19430, 19432 TO 19457, 19459 TO 19564, 19566, 19567, 19590, 19593, 19611, 19615 & 19617				
31	32189	TUBE	1	740		730/730A					
32	32190	TUBE	1	740							
33	32191	TUBE	1	740A		MODELS	16224, 16245 TO 19557				
34	32192	TUBE	1	740A		740/740A					
35	32193	TUBE	1								
36	32904	TUBE - REAR R.H. & FRONT L.H.	2	740/740A							
37	32905	TUBE - REAR L.H. & FRONT R.H.	2								

EFFECTIVE SERIAL NUMBERS/
NUMEROS DE SERIE EFFECTIFS/
NUMEROS DE SERIE EFFECTIVOS

SEE OVER

700 SERIES
SERIE 700

SECTION 9
SECCION 9
PAGE 9
PAGINA 9



ISSUE No.
N° D'ÉMISSION
N° DE EDICION

3 REVISION A

BRAKE PEDAL & CIRCUIT INSTALLATION - DRUM BRAKES - Models 710 thru 740A

JUNE 1991

FOR LIST OF PARTS - TURN THIS PAGE

POUR LA LISTE DES PIÈCES - VOIR AU VERSO

PARA LA LISTA DE LAS PIEZAS - VER AL VERSO

USE ONLY CHAMPION APPROVED PARTS



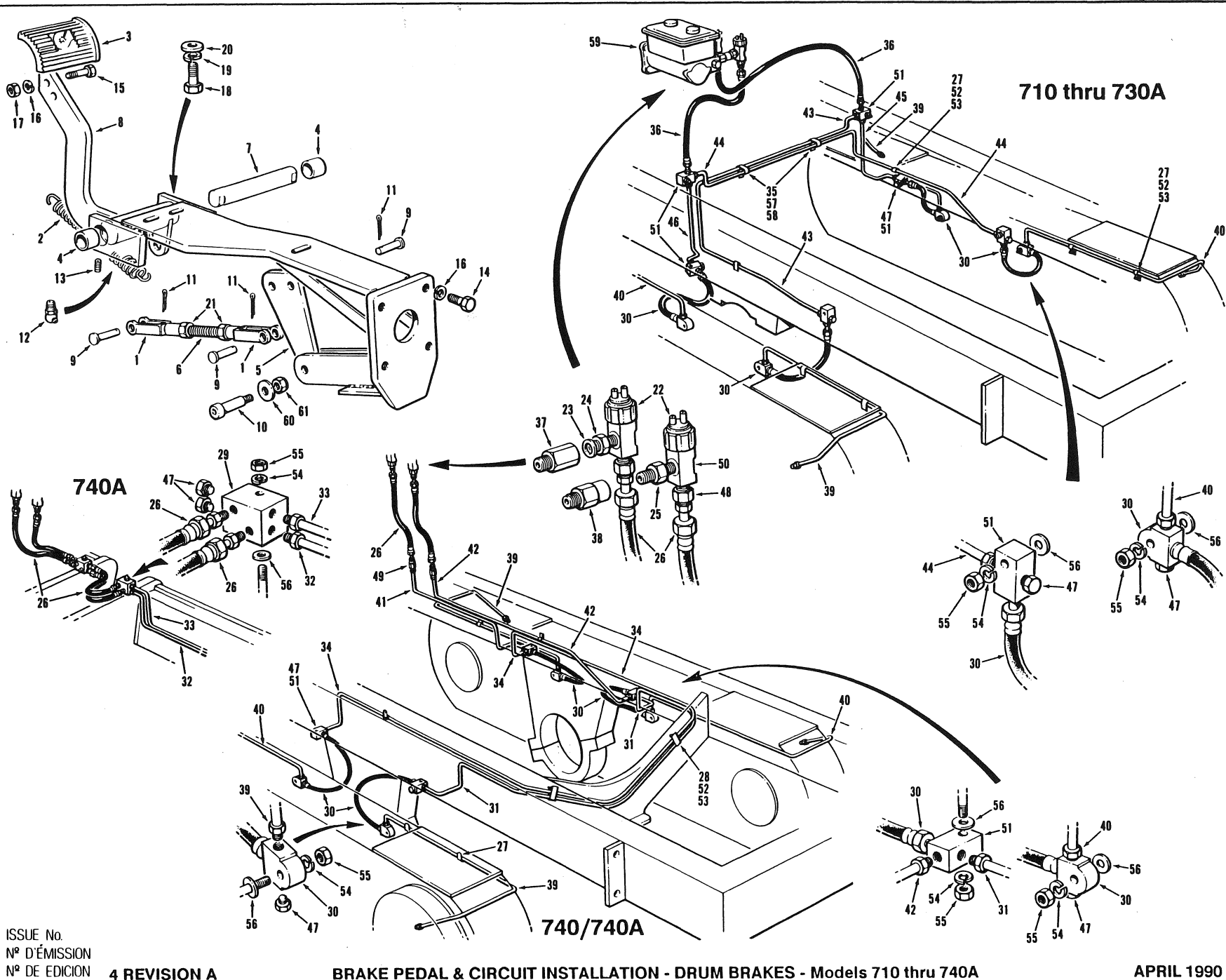
SECTION SECCION		9	PAGE PAGINA	10	ISSUE No. N° D'ÉMISSION N° DE EDICION	3 REVISION A	BRAKE PEDAL & CIRCUIT INSTALLATION - DRUM BRAKES - Models 710 thru 740A			JUNE 1991
No. N° N°	PART No. N° DE PIÈCE N° DE PIEZA	DESCRIPTION DESCRIPTION DESCRIPCION	No. REQ. N° REQ. N° REQ.	REMARKS REMARQUES NOTAS	No. N° N°	PART No. N° DE PIECE N° DE PIEZA	DESCRIPTION DESCRIPTION DESCRIPCION	No. REQ. N° REQ. N° REQ.	REMARKS REMARQUES NOTAS	
<u>BRAKE PEDAL INSTALLATION</u>										
1	602	CLEVIS	2		36	48858	TUBE	1	730/730A	
2	670	SPRING	1		37	48859	TUBE	1	730/730A	
3	28646	PAD	1		38	48972	CHECK VALVE	1		
4	32824	BUSHING	2		39	48974	CHECK VALVE	1		
5	48227	PIVOT PLATE	1		40	49339	TUBE	1	710 THRU	
6	48340	ROD	1		41	49340	TUBE	1	730	
7	48341	SHAFT	1		42	49644	TUBE	1	710 THRU	
8	51295	LEVER	1		43	49645	TUBE	1	720A	
9	10A-0820	CLEVIS PIN	3		44	49657	TUBE - REAR R.H. & FRONT L.H.	2		
10	10A-0828	CLEVIS PIN	1		45	49658	TUBE - REAR L.H. & FRONT R.H.	2		
11	13A-0416	COTTER PIN	4		46	49663	TUBE	1	710 THRU	
12	29B-04	GREASE FITTING	1		47	49664	TUBE	1	730A	
13	70B-0405	SET SCREW	2		48	51253	TUBE	1	740	
					49	51254	TUBE	1	740	
14	50A-0610	BOLT	4		50	100C-04	PLUG	6 or 10		
15	50A-0612	BOLT	2		51	100D-0402	CONNECTOR	2		
16	14A-06	LOCKWASHER	6		52	100G-04	UNION	2	710 THRU	
17	30AA-06	NUT	2						740	
18	50A-0810	BOLT	3		53	103S-02	TEE	2		
19	14A-08	LOCKWASHER	3		54	105B-0404	TEE	4		
20	14C-08	FLATWASHER	3							
21	31D-08	NUT	2		55	14A-04	LOCKWASHER	A.R.		
<u>BRAKE CIRCUIT INSTALLATION</u>										
22	1684	SWITCH - BRAKE LIGHT	2		56	30A-04	NUT	A.R.		
23	18823	GASKET - COPPER	1		57	14A-05	LOCKWASHER	A.R.		
24	23306	CONNECTOR - MODIFIED	1		58	30A-05	NUT	A.R.		
25	23307	CONNECTOR - MODIFIED	1		59	14C-06	FLATWASHER	A.R.		
26	24223 x 17	HOSE	2	710 THRU 740	60		MASTER CYLINDER ASSEMBLY	REF.	Sect 9 Pg 5	
			4	710A THRU 740A						
27	25169	CLIP - DOUBLE	A.R.		<u>EFFECTIVE SERIAL NUMBERS</u>					
28	25211	JUNCTION	2	710A THRU 740A	MODELS 710 thru 730A	19431, 19458, 19565, 19566, 19568 TO 19578, 19580 TO 19589, 19591, 19592, 19594 TO 19610, 19612, 19613, 19614, 19616, 19618 TO 19896 & 19900				
29	*32179	HOSE	4		MODELS 740/740A	19621 TO 19798				
30	32182	TUBE	1	740/740A						
31	32191	TUBE	1	740A						
32	32192	TUBE	1	740A						
33	32193	TUBE	1							
34	32904	TUBE - REAR R.H. & FRONT L.H.	2	740/740A						
35	32905	TUBE - REAR L.H. & FRONT R.H.	2							

EFFECTIVE SERIAL NUMBERS)
 NUMEROS) DE SERIE EFFECTIFS)
 NUMEROS) DE SERIE EFFECTIVOS)

19897 to 19899, 19901 & UP

700 SERIES
 SERIE 700

SECTION 9 PAGE 9
 SECCION 9 PAGINA 9



710 thru 730A

740A

740/740A

ISSUE No.
 N° D'ÉMISSION
 N° DE EDICION

4 REVISION A

BRAKE PEDAL & CIRCUIT INSTALLATION - DRUM BRAKES - Models 710 thru 740A

APRIL 1990

FOR LIST OF PARTS - TURN THIS PAGE

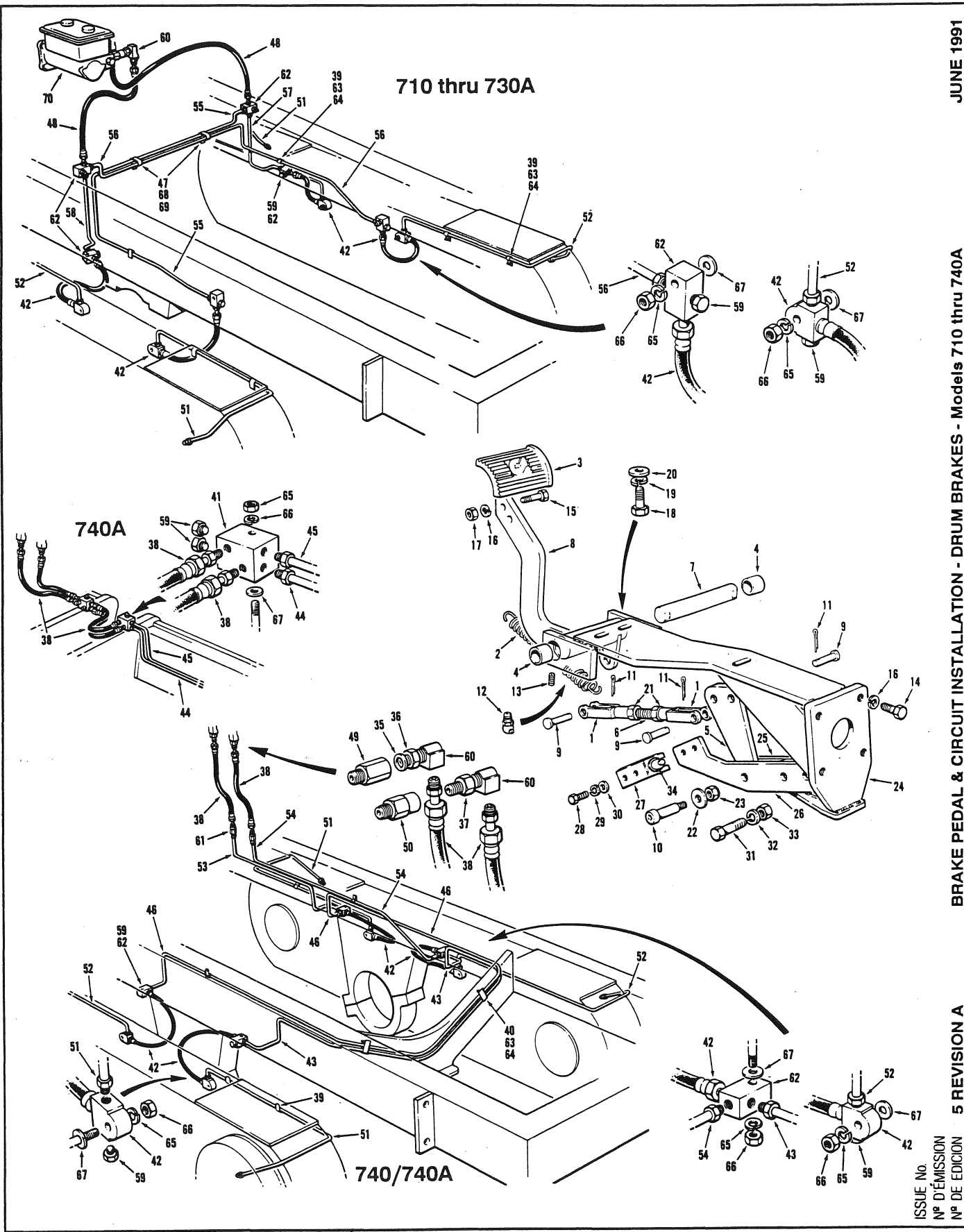
POUR LA LISTE DES PIÈCES - VOIR AU VERSO

PARA LA LISTA DE LAS PIEZAS - VER AL VERSO

USE ONLY CHAMPION ROAD MACHINERY APPROVED PARTS

SECTION SECCION		PAGE PAGINA		ISSUE No. N° D'ÉMISSION N° DE EDICION		4 REVISION A		BRAKE PEDAL & CIRCUIT INSTALLATION - DRUM BRAKES - Models 710 thru 740A		APRIL 1990	
No. N° N°	PART No. N° DE PIÈCE N° DE PIEZA	DESCRIPTION DESCRIPTION DESCRIPCION	No. REQ. N° REQ. N° REQ.	REMARKS REMARQUES NOTAS	No. N° N°	PART No. N° DE PIECE N° DE PIEZA	DESCRIPTION DESCRIPTION DESCRIPCION	No. REQ. N° REQ. N° REQ.	REMARKS REMARQUES NOTAS		
<u>BRAKE PEDAL INSTALLATION</u>											
1	602	CLEVIS	2		41	51253	TUBE	1	740		
2	670	SPRING	1		42	51254	TUBE	1	740		
3	28646	PAD	1		43	52023	TUBE	1	710 thru 730A		
4	32824	BUSHING	2		44	52024	TUBE	1			
5	48227	PIVOT PLATE	1		45	52030	TUBE	1			
6	48340	ROD	1		46	52031	TUBE	6 or 10	740/740A		
7	48341	SHAFT	1		47	100C-04	PLUG		8	710 thru 730A	
8	*53018	LEVER	1		48	100D-0402	CONNECTOR	2			
9	10A-0820	CLEVIS PIN	3		49	100G-04	UNION	2	740		
10	*50G-0812	SHOULDER SCREW	1		50	103S-02	TEE	2			
11	13A-0416	COTTER PIN	3		51	105B-0404	TEE	6	710 thru 730A		
12	*28B-04	GREASE FITTING	1					4	740/740A		
13	70B-0405	SET SCREW	2		52	14A-04	LOCKWASHER	A.R.			
14	50A-0610	BOLT	4		53	30A-04	NUT	A.R.			
15	50A-0612	BOLT	2		54	14A-05	LOCKWASHER	A.R.			
16	14A-06	LOCKWASHER	6		55	30A-05	NUT	A.R.			
17	30A-06	NUT	2		56	14C-06	FLATWASHER	A.R.			
18	50A-0810	BOLT	3		57	14A-06	LOCKWASHER	2			
19	14A-08	LOCKWASHER	3		58	30A-06	NUT	2	710 thru 730A		
20	14C-08	FLATWASHER	3								
21	31D-08	NUT	2		59		MASTER CYLINDER ASSEMBLY	REF.	SECTION 9 PAGE 6		
<u>BRAKE CIRCUIT INSTALLATION</u>											
22	1684	SWITCH - BRAKE LIGHT	2		60	*14C-06	LOCKWASHER	1			
23	18823	GASKET - COPPER	1		61	*36M-06	LOCKNUT	1			
24	23306	CONNECTOR - MODIFIED	1								
25	23307	CONNECTOR - MODIFIED	1								
26	24223 x 17	HOSE	2	740							
			4	740A							
27	25168	CLIP - SINGLE	3	740							
28	25169	CLIP - DOUBLE	8								
29	25211	JUNCTION	2	740A							
30	32179	HOSE	4								
31	32182	TUBE	1	740/740A							
32	32191	TUBE	1	740A							
33	32192	TUBE	1	740A							
34	32193	TUBE	1	740/740A							
35	32317	CLAMP	2	710 thru 730A							
36	32579 x 60	HOSE ASSEMBLY	1	710 thru 730A							
37	48972	CHECK VALVE	1								
38	48974	CHECK VALVE	1								
39	49657	TUBE - REAR R.H. & FRONT L.H.	2								
40	49658	TUBE - REAR L.H. & FRONT R.H.	2								

CHAMPION ROAD MACHINERY



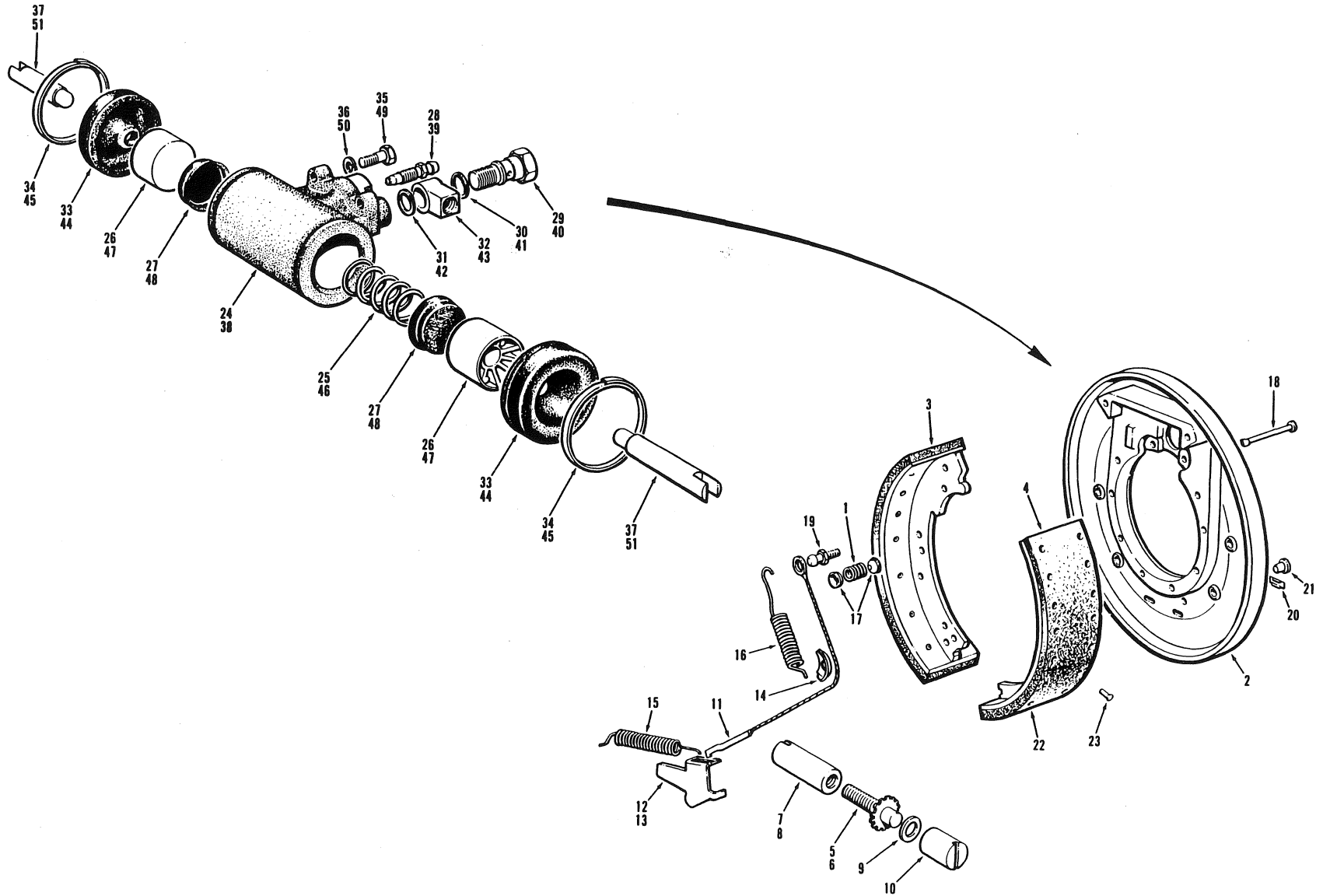
ISSUE No.
N° D'ÉMISSION
N° DE EDICIÓN

EFFECTIVE SERIAL NUMBER(S) 20830 & UP
 NUMERO(S) DE SÉRIE EFFECTIF(S)
 NUMERO(S) DE SERIE EFECTIVO(S)

700 SERIES
 SERIE 700

SECTION 9 PAGE 9
 SECCION 9 PAGINA 9

SECTION SECCION	9	PAGE PAGINA	10	ISSUE No. N° D'ÉMISSION N° DE EDICION	5 REVISION A	BRAKE PEDAL & CIRCUIT INSTALLATION - DRUM BRAKES - Models 710 thru 740A		JUNE 1991	
No. N° N°	PART No. N° DE PIÈCE N° DE PIEZA	DESCRIPTION DÉSCRIPTION DESCRIPCION	No. REQ. N° REQ. N° REQ.	REMARKS REMARQUES NOTAS	No. N° N°	PART No. N° DE PIECE N° DE PIEZA	DESCRIPTION DÉSCRIPTION DESCRIPCION	No. REQ. N° REQ. N° REQ.	REMARKS REMARQUES NOTAS
		<u>BRAKE PEDAL INSTALLATION</u>							
1	602	CLEVIS	2		39	25168	CLIP - SINGLE	3	740
2	670	SPRING	1		40	25169	CLIP - DOUBLE	8	
3	28646	PAD	1		41	25211	JUNCTION	2	740A
4	32824	BUSHING	2		42	32179	HOSE	4	
5	48227	PIVOT PLATE	1		43	32182	TUBE	1	740/740A
6	48340	ROD	1		44	32191	TUBE	1	740A
7	48341	SHAFT	1		45	32192	TUBE	1	740A
8	53018	LEVER	1		46	32193	TUBE	1	740/740A
9	10A-0820	CLEVIS PIN	3		47	32317	CLAMP	2	710 thru 730A
10	50G-0812	SHOULDER SCREW	3		48	32579 x 60	HOSE ASSEMBLY	1	710 thru 730A
11	*13A-0420	COTTER PIN	3		49	48972	CHECK VALVE	1	
12	28B-04	GREASE FITTING	1		50	48974	CHECK VALVE	1	
13	70B-0405	SET SCREW	2		51	49657	TUBE - REAR R.H. & FRONT L.H.	2	
14	50A-0610	BOLT	4		52	49658	TUBE - REAR L.H. & FRONT R.H.	2	
15	50A-0612	BOLT	2		53	51253	TUBE	1	740
16	14A-06	LOCKWASHER	6		54	51254	TUBE	1	740
17	30A-06	NUT	2		55	52023	TUBE	1	
18	50A-0810	BOLT	3		56	52024	TUBE	1	710 thru 730A
19	14A-08	LOCKWASHER	3		57	52030	TUBE	1	
20	14C-08	FLATWASHER	3		58	52031	TUBE	1	
21	31D-08	NUT	2		59	100C-04	PLUG	6 or 10	740/740A
22	14C-06	LOCKWASHER	1		60	*100J-0402	CONNECTOR	8	710 thru 730A
23	36M-06	LOCKNUT	1		61	100G-04	UNION	2	740
24	56741	BRACKET	1		62	105B-0404	TEE	6	710 thru 730A
25	56745	PIVOT - OUTER	1					4	740/740A
26	56773	PIVOT - INNER	1		63	14A-04	LOCKWASHER	4	
27	56774	BRACKET	1		64	30A-04	NUT	4	
28	50A-0506	BOLT	2		65	14A-05	LOCKWASHER	4	
29	14A-05	LOCKWASHER	2		66	30A-05	NUT	4	
30	14C-05	FLATWASHER	2		67	14D-08	FLATWASHER	4	
31	50A-0820	BOLT	2		68	14A-06	LOCKWASHER	2	
32	14A-08	LOCKWASHER	2		69	30A-06	NUT	2	710 thru 730A
33	30A-08	NUT	2		70		MASTER CYLINDER ASSEMBLY	REF.	Sect 9 Pg 5
		<u>BRAKE CIRCUIT INSTALLATION</u>							
34	56775	SWITCH - BRAKE LIGHT	1						
35	18823	GASKET - COPPER	1						
36	23306	CONNECTOR - MODIFIED	1						
37	23307	CONNECTOR - MODIFIED	1						
38	24223 x 17	HOSE	2	740					
			4	740A					



EFFECTIVE SERIAL NUMBER(S)
 NUMERO(S) DE SERIE EFFECTIF(S)
 U.S. 2021-2 to 2658-2

16224, 16245 TO
 APPROX. 19617

700 SERIES
 SERIE 700

SECTION 9
 PAGE 11

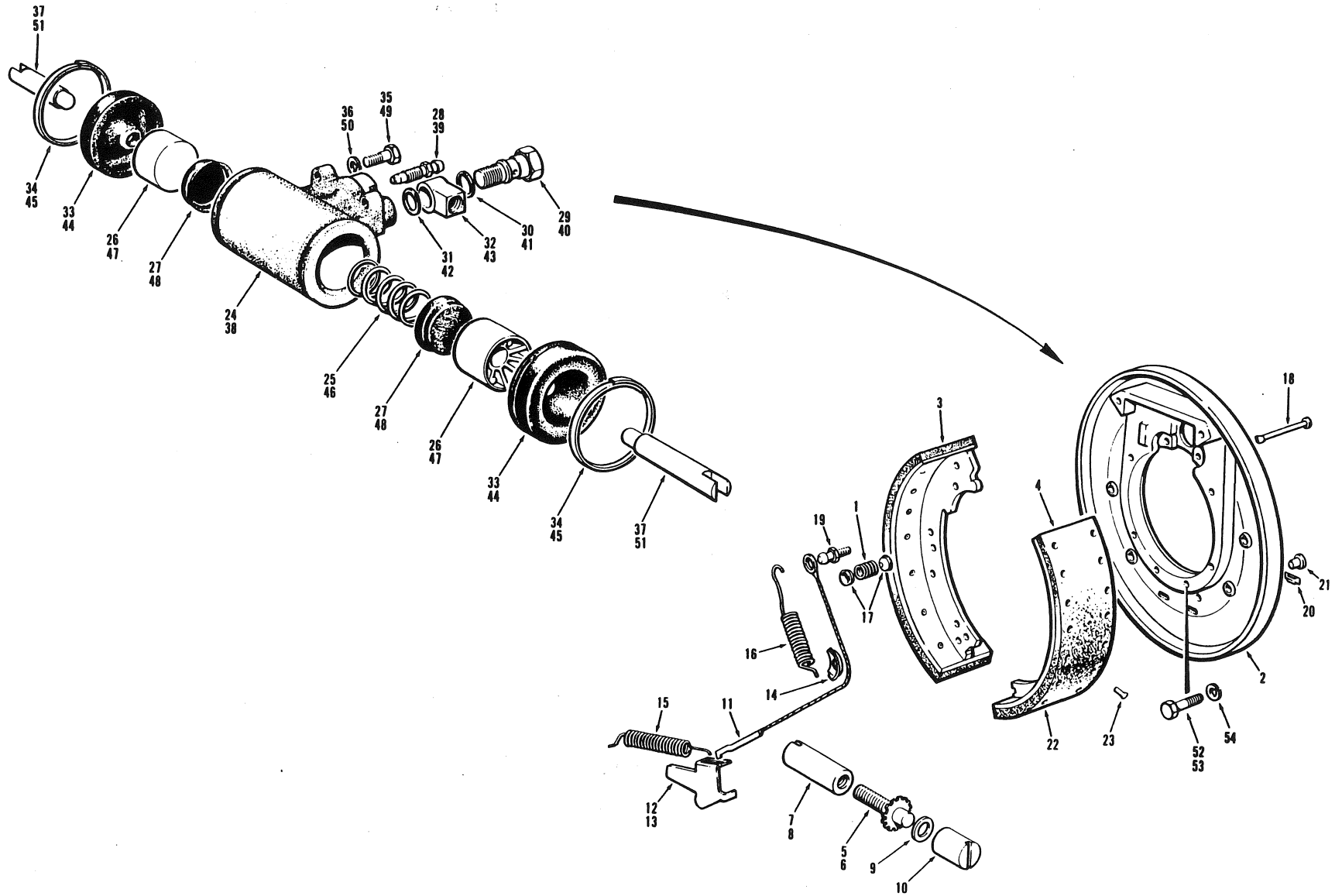
ISSUE No.
 N° D'ÉMISSION
 N° DE EDICION 1 REVISION A

WHEEL BRAKE & CYLINDER ASSEMBLY

FEBRUARY 1989

END LIST OF PARTS - TURN THIS PAGE DOIR LA LISTE DES PIÈCES - VOIR AU VERSO PARA LA LISTA DE LAS PIEZAS - VER AL VERSO

SECTION SECCION 9		PAGE PAGINA 12	ISSUE No. N° D'ÉMISSION N° DE EDICION 1	REVISION A	WHEEL BRAKE & CYLINDER ASSEMBLY			FEBRUARY 1989	
No. N° N°	PART No. N° DE PIÈCE N° DE PIEZA	DESCRIPTION DÉSCRIPTION DESCRIPCION	No. REQ. N° REQ. N° REQ.	REMARKS REMARQUES NOTAS	No. N° N°	PART No. N° DE PIECE N° DE PIEZA	DESCRIPTION DÉSCRIPTION DESCRIPCION	No. REQ. N° REQ. N° REQ.	REMARKS REMARQUES NOTAS
<u>WHEEL BRAKE ASSEMBLY</u>									
	*49509	BRAKE ASSY. - L.H.	A.R.			8319	REPAIR KIT - C/W ITEMS 27 & 33 (2 EACH)	A.R.	
	*49510	BRAKE ASSY. - R.H.	A.R.			*51559	WHEEL BRAKE KIT - C/W ITEMS 11,14 TO 16, 20 TO 23 & 6781 WHEEL CYLINDER ASSY.	A.R.	
1	705-13	SPRING - SHOE HOLD DOWN	4						
2	9993	BACKING PLATE	1						
3	*51557	SHOE & LINING ASSY. - L.H.	1			33330	WHEEL BRAKE KIT - C/W ITEMS 1,11,15 TO 18,27 & 33	A.R.	
4	*51558	SHOE & LINING ASSY. - R.H.	1						
5	9996	ADJUSTING SCREW - L.H. BRAKE	1						
6	9997	ADJUSTING SCREW - R.H. BRAKE	1						
7	9998	PIVOT NUT - L.H. BRAKE	1						
8	9999	PIVOT NUT - R.H. BRAKE	1						
9	10000	WASHER	1			40712	WHEEL CYLINDER ASSY. - C/W ITEMS 38 TO 50	4	
10	10001	SOCKET	1						
11	10002	CABLE ASSY.	1		38		BODY - SUPPLIED ONLY WITH ASSY.	1	
12	10003	LEVER - AUTO ADJUSTER - L.H. BRAKE	1		39	8317	BLEEDER SCREW	1	
13	10004	LEVER - AUTO ADJUSTER - R.H. BRAKE	1		40	18822	BOLT	1	
14	10005	CABLE GUIDE - AUTO ADJUSTER	1		41	18823	GASKET - OUTER	1	
15	10006	SPRING - ADJUSTING SCREW - WHITE	1		42	18824	GASKET - INNER	1	
16	10007	SPRING - SHOE RETURN - BLACK	2		43	18825	INLET FITTING	1	
17	10008	CUP	8		44	18828	BOOT	2	
18	10009	PIN	4		45	18829	STRAP	2	
19	10010	PIN	2		46	37159	SPRING	1	
20	10011	COVER - ADJUSTING HOLE	2		47	37160	PISTON	2	
21	10012	COVER - PROBE HOLE	2		48	37161	CUP	2	
22	*51562	LINING - DRILLED	2		49	50A-0506	BOLT	2	
23	10013A	RIVET	60		50	14A-05	LOCKWASHER	2	
	*51556	BRAKE LINING KIT C/W ITEMS 22 & 23	4		51	9990	WHEEL CYLINDER LINK	2	
<u>1.5" WHEEL CYLINDER ASSEMBLY</u>									
	6781	WHEEL CYLINDER ASSY. - C/W ITEMS 24 TO 36	A.R.	STANDARD BRAKES					
24		BODY - SUPPLIED ONLY WITH ASSY.	1						
25	8314	SPRING	1						
26	8315	PISTON	2						
27	8316	CUP	2						
28	8317	BLEEDER SCREW	1						
29	18822	BOLT	1						
30	18823	GASKET - OUTER	1						
31	18824	GASKET - INNER	1						
32	18825	INLET FITTING	1						
33	18828	BOOT	2						
34	18829	STRAP	2						
35	50A-0506	BOLT	2						
36	14A-05	LOCKWASHER	2						
37	9990	WHEEL CYLINDER LINK	2						



EFFECTIVE SERIAL NUMBERS)
 NUMEROS) DE SERIE EFFECTIFS)
 NUMEROS) DE SERIE EFFECTIVOS)

19431, 19458, 19565, 19566,
 19568 to 19578, 19580 to
 19589, 19591, 19592, 19594 to
 19610, 19612 to 19614, 19616,
 19618 to 21907

700 SERIES
 SERIE 700

SECTION 9 PAGE 11
 SECCION 9 PAGINA 11

ISSUE No.
 N° D'ÉMISSION
 N° DE EDICION

2 REVISION A

WHEEL BRAKE & CYLINDER ASSEMBLY

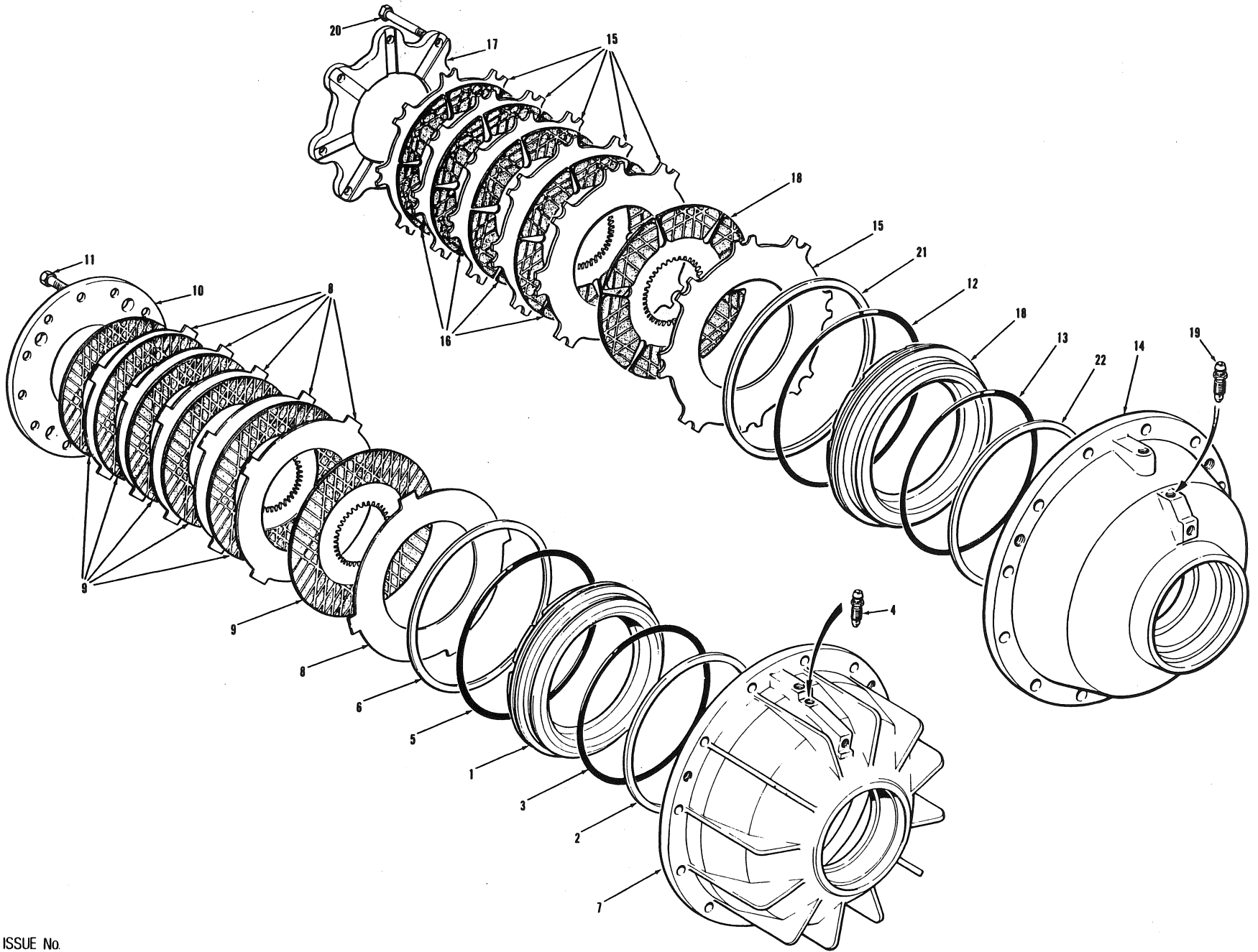
DECEMBER 1991

FOR LIST OF PARTS - TURN THIS PAGE

POUR LA LISTE DES PIÈCES - VOIR AU VERSO

PARA LA LISTA DE LAS PIEZAS - VER AL VERSO

SECTION SECCION		PAGE PAGINA	ISSUE No. N° D'ÉMISSION N° DE EDICION	2 REVISION A		WHEEL BRAKE & CYLINDER ASSEMBLY			DECEMBER 1991	
No. N° N°	PART No. N° DE PIÈCE N° DE PIEZA	DESCRIPTION DÉSCRIPTION DESCRIPCION	No. REQ. N° REQ. N° REQ.	REMARKS REMARQUES NOTAS	No. N° N°	PART No. N° DE PIECE N° DE PIEZA	DESCRIPTION DÉSCRIPTION DESCRIPCION	No. REQ. N° REQ. N° REQ.	REMARKS REMARQUES NOTAS	
		WHEEL BRAKE ASSEMBLY					1.38" WHEEL CYLINDER ASSEMBLY		710 thru 720A	
	49609	BRAKE ASSEMBLY - L.H.	1			40712	WHEEL CYLINDER ASSEMBLY	4		
	49610	BRAKE ASSEMBLY - R.H.	1				- INCLUDES ITEMS 38 to 50			
1	705-13	SPRING - SHOE HOLD DOWN	4		38		BODY - SUPPLIED ONLY WITH ASSEMBLY	1		
2	9993	BACKING PLATE	1		39	8317	BLEEDER SCREW	1		
3	51557	SHOE & LINING ASSEMBLY - L.H.	1		40	18822	BOLT	1		
4	51558	SHOE & LINING ASSEMBLY - R.H.	1		41	18823	GASKET - OUTER	1		
5	9996	ADJUSTING SCREW - L.H. BRAKE	1		42	18824	GASKET - INNER	1		
6	9997	ADJUSTING SCREW - R.H. BRAKE	1		43	18825	INLET FITTING	1		
7	9998	PIVOT NUT - L.H. BRAKE	1		44	18828	BOOT	2		
8	9999	PIVOT NUT - R.H. BRAKE	1		45	18829	STRAP	2		
9	10000	WASHER	1		46	37159	SPRING	1		
10	10001	SOCKET	1		47	37160	PISTON	2		
11	10002	CABLE ASSEMBLY	1		48	37161	CUP	2		
12	10003	LEVER - AUTO ADJUSTER - L.H. BRAKE	1		49	50A-0506	BOLT	2		
13	10004	LEVER - AUTO ADJUSTER - R.H. BRAKE	1		50	14A-05	LOCKWASHER	2		
14	10005	CABLE GUIDE - AUTO ADJUSTER	1		51	9990	WHEEL CYLINDER LINK	2		
15	10006	SPRING - ADJUSTING SCREW - WHITE	1				MOUNTING HARDWARE			
16	10007	SPRING - SHOE RETURN - BLACK	2		52	*50A-0710	BOLT	1		
17	10008	CUP	8		53	*50A-0716	BOLT	7		
18	10009	PIN	4		54	*14A-07	LOCKWASHER	8		
19	10010	PIN	2							
20	10011	COVER - ADJUSTING HOLE	2							
21	10012	COVER - PROBE HOLE	2							
22	51562	LINING - DRILLED	2							
23	10013A	RIVET	60							
	51556	BRAKE LINING KIT - C/W ITEMS 22 & 23	4							
		1.5" WHEEL CYLINDER ASSEMBLY		730 thru 740A						
	6781	WHEEL CYLINDER ASSEMBLY - INCLUDES ITEMS 24 TO 36	4							
24		BODY - SUPPLIED ONLY WITH ASSEMBLY	1							
25	8314	SPRING	1							
26	8315	PISTON	2							
27	8316	CUP	2							
28	8317	BLEEDER SCREW	1							
29	18822	BOLT	1							
30	18823	GASKET - OUTER	1							
31	18824	GASKET - INNER	1							
32	18825	INLET FITTING	1							
33	18828	BOOT	2							
34	18829	STRAP	2							
35	50A-0506	BOLT	2							
36	14A-05	LOCKWASHER	2							
37	9990	WHEEL CYLINDER LINK	2							
	8319	REPAIR KIT - C/W Qty. 2 OF ITEMS 27 & 33	1 per							
	51559	WHEEL BRAKE KIT - INCLUDES ITEMS 11, 14 to 16, 20 to 23 AND 6781 WHEEL CYLINDER ASSEMBLY	1 per							
	33330	WHEEL BRAKE KIT - INCLUDES ITEMS 1, 11, 15 to 18, 27 & 33	1 per							



USE ONLY CHAMPION ROAD MACHINERY APPROVED PARTS

ISSUE No.
N° D'ÉMISSION
N° DE EDICION

1 REVISION D

OIL DISC BRAKE ASSEMBLY

MARCH 1990

FOR LIST OF PARTS - TURN THIS PAGE

POUR LA LISTE DES PIÈCES - VOIR AU VERSO

PARA LA LISTA DE LAS PIEZAS - VER AL VERSO

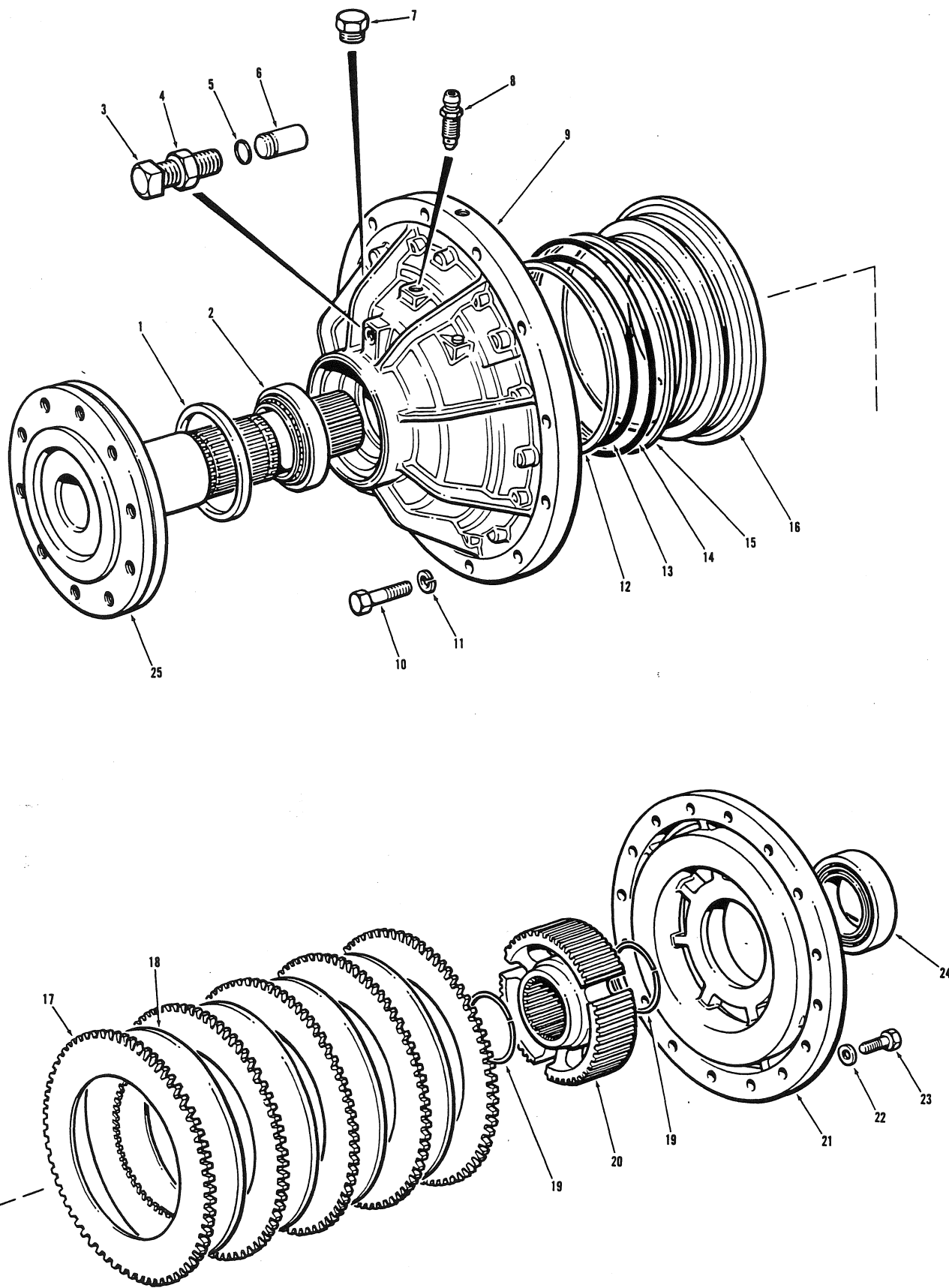
EFFECTIVE SERIAL NUMBER(S)
NUMEROS DE SERIE EFFECTIFS(S)
NUMEROS DE SERIE EFFECTIVOS(S)
U.S. 2021-2 to 2658-2

16277 & UP

700 SERIES
SERIE 700

SECTION 9 PAGE 13
SECCION 9 PAGINA 13

SECTION SECCION		PAGE PAGINA		ISSUE No. N° D'ÉMISSION N° DE EDICION		1 REVISION D		OIL DISC BRAKE ASSEMBLY		MARCH 1990	
No. N° N°	PART No. N° DE PIÈCE N° DE PIEZA	DESCRIPTION DÉSCRIPTION DESCRIPCION	No. REQ. N° REQ. N° REQ.	REMARKS REMARQUES NOTAS	No. N° N°	PART No. N° DE PIÈCE N° DE PIEZA	DESCRIPTION DÉSCRIPTION DESCRIPCION	No. REQ. N° REQ. N° REQ.	REMARKS REMARQUES NOTAS		
	36469	OIL DISC BRAKE ASSEMBLY - INCLUDES ITEMS 1 TO 11	4								
1	42262	PISTON	1								
2	42263	BACK-UP RING	1								
3	42264	O RING	1								
4	42265	BLEEDER SCREW	1								
5	42266	O RING	1								
6	42267	BACK-UP WASHER	1								
7	42268	HOUSING	1								
8	42269	REACTION PLATE	6								
9	*48524	FRICION DISC	6								
10	42272	END PLATE	1								
11	50A-1014	BOLT	12								
	16775	OIL DISC BRAKE ASSEMBLY - INCLUDES ITEMS 12 TO 22	4	S/N 16277, 16520 & 16946							
12	16777	O RING	1								
13	16778	O RING	1								
14	16779	HOUSING	1								
15	16780	REACTION PLATE	6								
16	16781	FRICION DISC	5								
17	16782	END PLATE	1								
18	16783	PISTON	1								
19	18826	BLEEDER SCREW	1								
20	26278	BOLT	8								
21	26279	BACK-UP RING	1								
22	26280	BACK-UP RING	1								



EFFECTIVE SERIAL NUMBER(S)
NUMERO(S) DE SÉRIE EFFECTIF(S)
NUMERO(S) DE SERIE EFECTIVO(S)

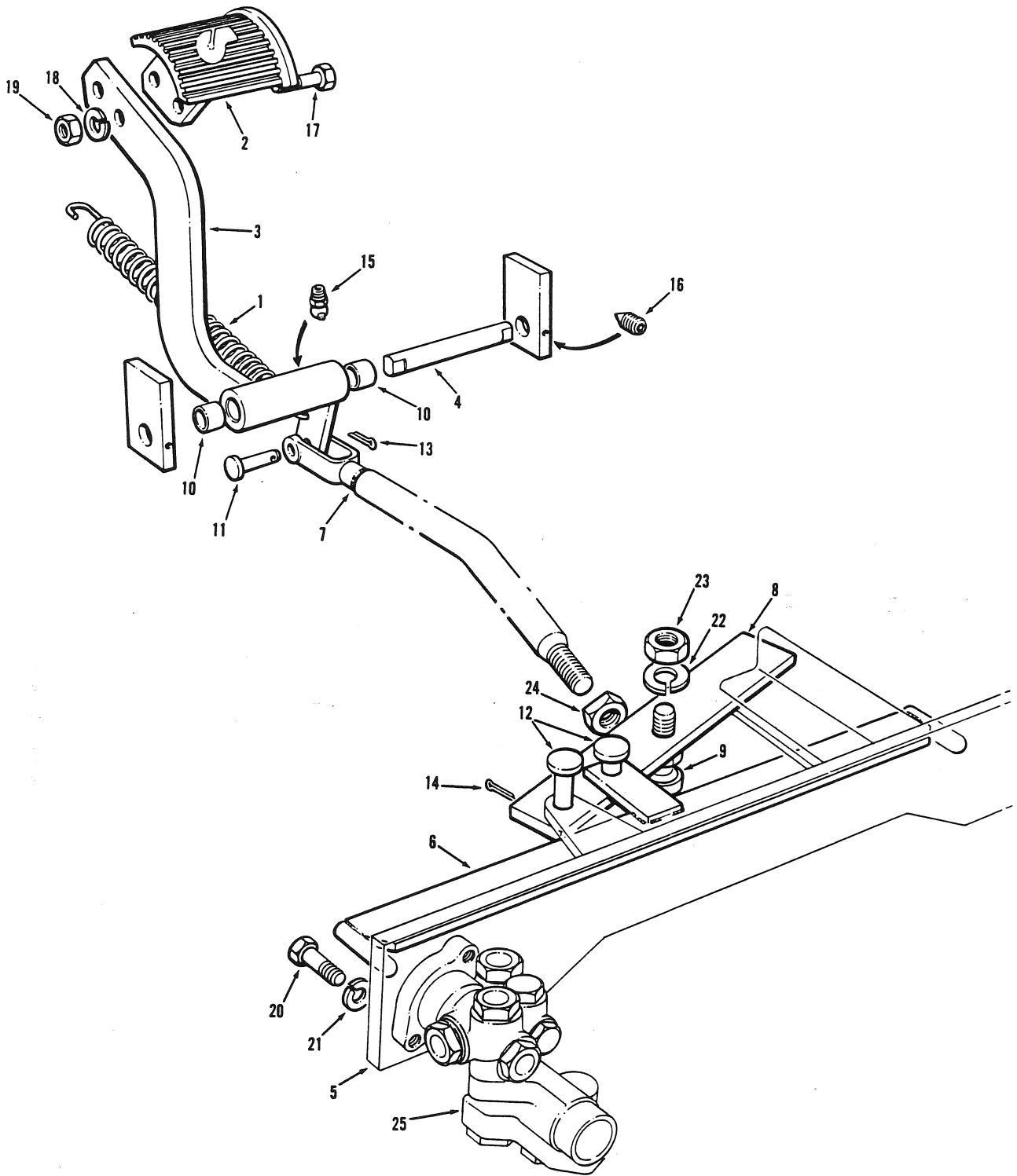
Models 710 thru 740A
21134 & UP, EXCLUDING 21225
Models 750 thru 780A
21386 & UP

700 SERIES
SERIE 700

SECTION 9
SECCION 9

PAGE 13
PAGINA 13

SECTION SECCION		PAGE PAGINA		ISSUE No. N° D'ÉMISSION N° DE EDICION		2 REVISION B		OIL DISC BRAKE		SEPTEMBER 1991	
No. N° N°	PART No. N° DE PIÈCE N° DE PIEZA	DESCRIPTION DÉSCRIPTION DESCRIPCION	No. REQ. N° REQ. N° REQ.	REMARKS REMARQUES NOTAS	No. N° N°	PART No. N° DE PIECE N° DE PIEZA	DESCRIPTION DÉSCRIPTION DESCRIPCION	No. REQ. N° REQ. N° REQ.	REMARKS REMARQUES NOTAS		
1	37872	OIL SEAL	1								
2	37867	BEARING CUP	1								
	37868	BEARING CONE	1								
3	70F-0824	SETScrew	1								
4	30D-08	NUT	1								
5	12A-110	O-RING	1								
6	56267	PIN	1								
7	111H-04	O-RING PLUG	1								
8	8317	BLEEDER SCREW	1								
	58780	BLEEDER SCREW- LONG	1	S/N 21134 TO 21237							
9	56262	HOUSING	1								
10	*50A-1020	BOLT	12								
11	*14A-10	LOCKWASHER	12								
12	37873	BACK-UP RING	1								
13	12A-451	O-RING	1								
14	12A-453	O-RING	1								
15	37874	BACK-UP RING	1								
16	37861	PISTON	1								
17	37935	REACTION DISC	4	710/710A							
			5	720 thru 730A							
			6	740 thru 780A							
18	37934	FRICTION DISC	3	710/710A							
			4	720 thru 730A							
			5	740 thru 780A							
19	37945	SNAP RING	2								
20	37933	HUB	1								
21	37938	INNER HOUSING	1	710/710A							
	37939	INNER HOUSING	1	720 thru 730A							
	37931	INNER HOUSING	1	740 thru 780A							
22	37940	WASHER	16								
23	50A-0816	CAPSCREW	16								
24	8142A	BEARING CUP	1								
	8142B	BEARING CONE	1								
25		AXLE	REF.	Sect 7 Pg 15							



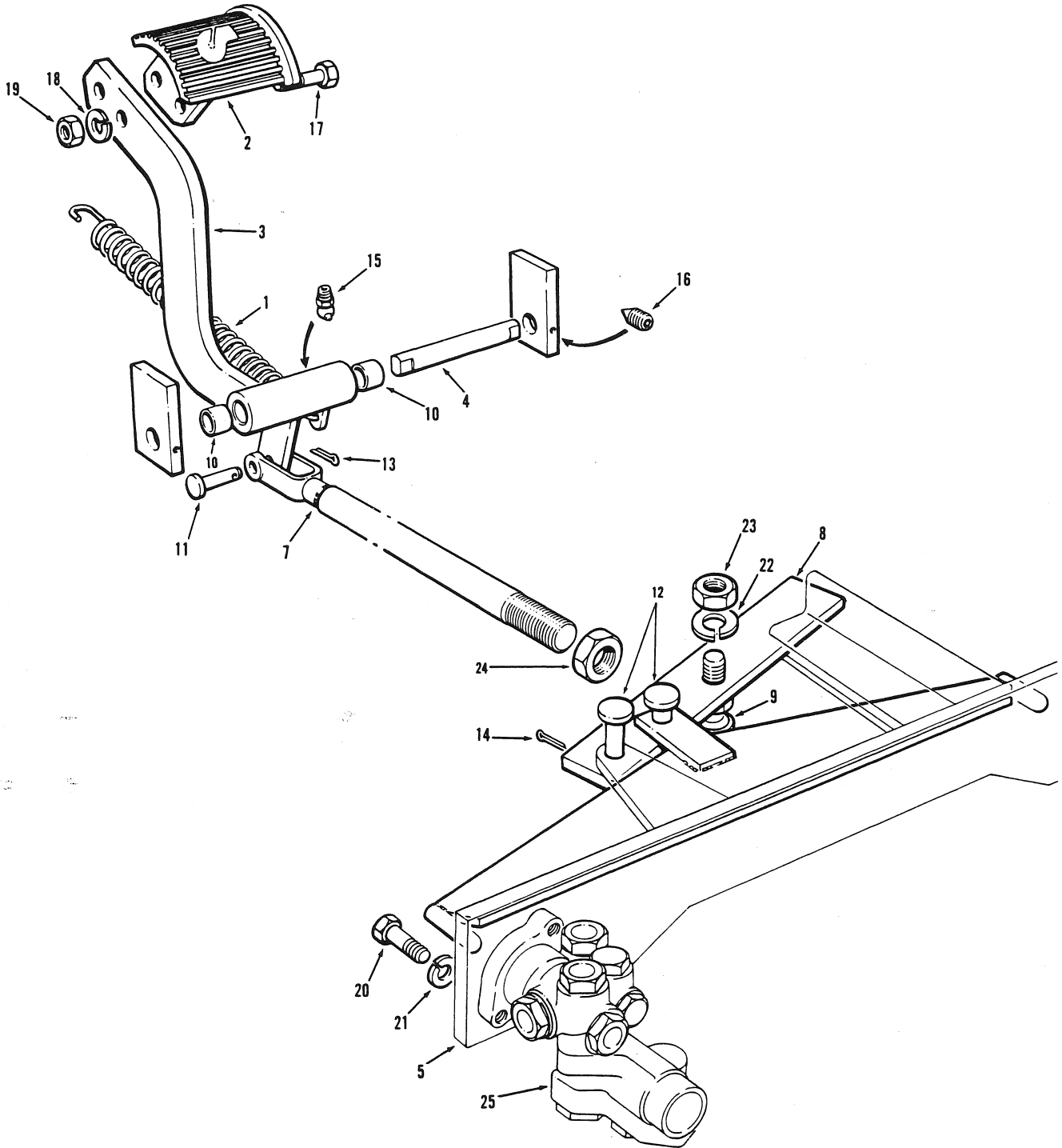
EFFECTIVE SERIAL NUMBER(S) 16224,16245 & UP
 NUMERO(S) DE SÉRIE EFFECTIF(S)
 NUMERO(S) DE SERIE Efectivo(S)
 U.S. 2021-2 & UP

700 SERIES
SERIE 700

SECTION 9
SECCION 9
PAGE 15
PAGINA 15

SECTION 9		PAGE 16		ISSUE No. 1		MECHANICAL LINKAGE - OIL DISC BRAKES			OCTOBER 1984		
SECCION 9		PAGINA 16		N° D'ÉMISSION 1							
N° DE EDICION											
No. N° N°	PART No. N° DE PIÈCE N° DE PIEZA	DESCRIPTION DÉSCRIPTION DESCRIPCION	No. REQ. N° REQ. N° REQ.	REMARKS REMARQUES NOTAS	No. N° N°	PART No. N° DE PIECE N° DE PIEZA	DESCRIPTION DÉSCRIPTION DESCRIPCION	No. REQ. N° REQ. N° REQ.	REMARKS REMARQUES NOTAS		
1	670	SPRING	1								
2	28646	PAD	1								
3	28742	LEVER	1								
4	28744	SHAFT	1								
5	32382	MOUNT - WALKING BEAM	1								
6	32383	WALKING BEAM	1								
7	32384	LINKAGE ROD	1								
8	32385	LEVER	1								
9	32386	BALL JOINT	1								
10	32824	BUSHING	2								
11	10A-0616	CLEVIS PIN	1								
12	10A-0820	CLEVIS PIN	2								
13	13A-0316	COTTER PIN	1								
14	13A-0416	COTTER PIN	2								
15	29F-01	GREASE FITTING	1								
16	70B-0405	SETSCREW	2								
17	50A-0612	BOLT	2								
18	14A-06	LOCKWASHER	2								
19	30A-06	NUT	2								
20	51A-0710	BOLT	6								
21	14A-07	LOCKWASHER	6								
22	14A-10	LOCKWASHER	1								
23	31A-10	NUT	1								
24	31D-10	JAM NUT	1								
25		BRAKE VALVE ASSEMBLY	REF.	SECTION 9 PAGES 17/18							

CHAMPION ROAD MACHINERY



APRIL 1990

MECHANICAL LINKAGE - OIL DISC BRAKES

2 REVISION A

FOR LIST OF PARTS - TURN THIS PAGE POUR LA LISTE DES PIÈCES - VOIR AU VERSO PARA LA LISTA DE LAS PIEZAS - VER AL VERSO

ISSUE No.
N° D'ÉMISSION
N° DE EDICION

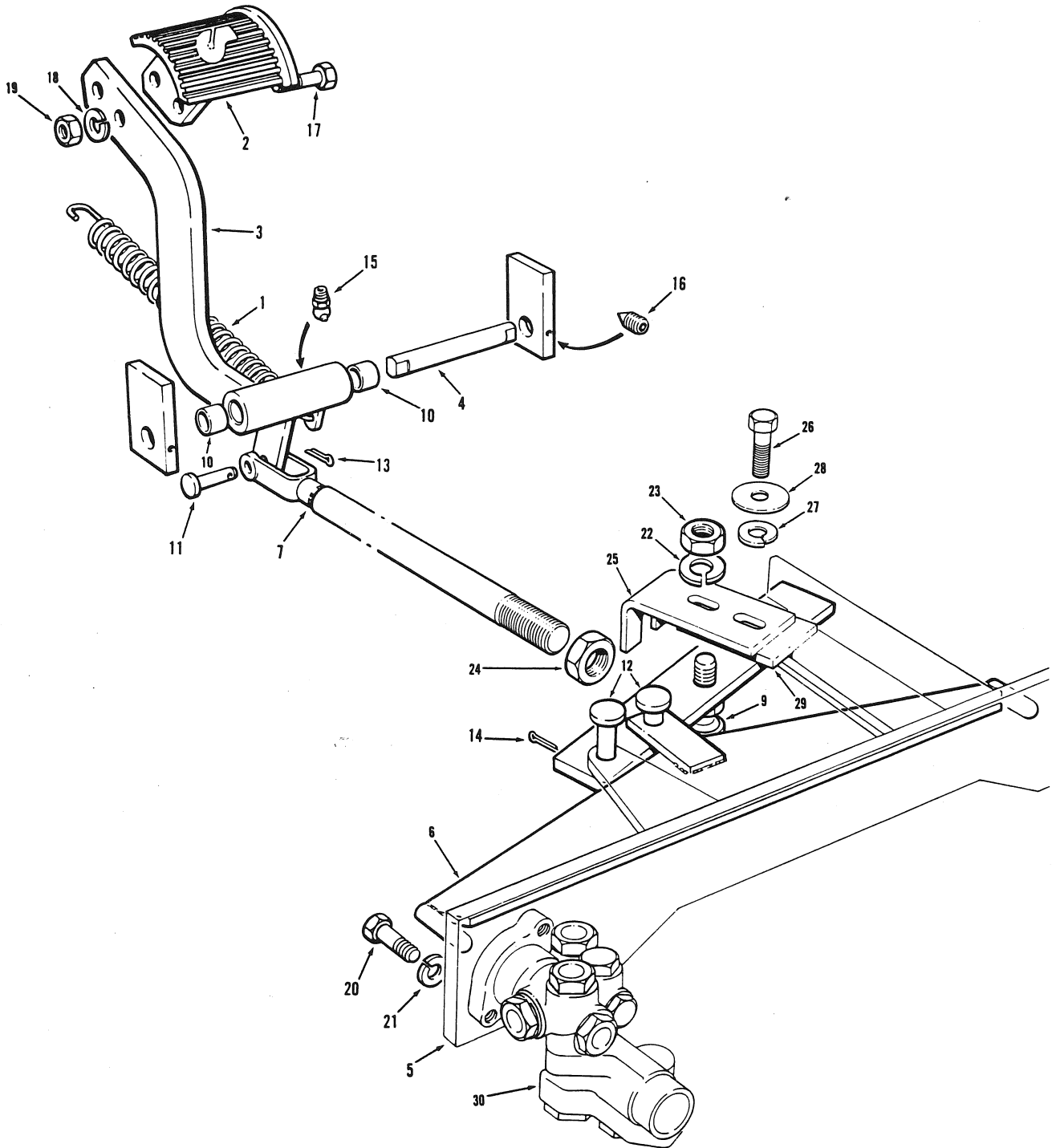
EFFECTIVE SERIAL NUMBER(S)
NUMERO(S) DE SÉRIE EFFECTIF(S)
NUMERO(S) DE SERIE EFECTIVO(S)

20217 & UP

700 SERIES
SERIE 700

SECTION 9 **PAGE 15**
SECCION 9 **PAGINA 15**

SECTION SECCION		PAGE PAGINA		ISSUE No. N° D'ÉMISSION N° DE EDICION		2 REVISION A		MECHANICAL LINKAGE - OIL DISC BRAKES			APRIL 1990	
No. N° N°	PART No. N° DE PIÈCE N° DE PIEZA	DESCRIPTION DESCRIPTION DESCRIPCION	No. REQ. N° REQ. N° REQ.	REMARKS REMARQUES NOTAS	No. N° N°	PART No. N° DE PIECE N° DE PIEZA	DESCRIPTION DESCRIPTION DESCRIPCION	No. REQ. N° REQ. N° REQ.	REMARKS REMARQUES NOTAS			
1	670	SPRING	1									
2	28646	PAD	1									
3	*54438	LEVER	1									
4	*48341	SHAFT	1									
5	*55241	MOUNT - WALKING BEAM	1									
6	*54428	WALKING BEAM	1									
7	*54425	LINKAGE ROD	1									
8	*54421	LEVER	1									
9	32386	BALL JOINT	1									
10	32824	BUSHING	2									
11	*10A-0618	CLEVIS PIN	1									
12	10A-0820	CLEVIS PIN	2									
13	13A-0316	COTTER PIN	1									
14	*13A-0420	COTTER PIN	2									
15	29F-01	GREASE FITTING	1									
16	70B-0405	SETSCREW	2									
17	50A-0612	BOLT	2									
18	14A-06	LOCKWASHER	2									
19	30A-06	NUT	2									
20	51A-0710	BOLT	6									
21	14A-07	LOCKWASHER	6									
22	14A-10	LOCKWASHER	1									
23	31A-10	NUT	1									
24	31D-10	JAM NUT	1									
25		BRAKE VALVE ASSEMBLY	REF.	SECT. 9 PG. 18								



EFFECTIVE SERIAL NUMBERS) 20830 to 21107, 21148, 21171,
 NUMERO(S) DE SÉRIE EFFECTIF(S) 21173, 21225, 21249, 21274,
 NUMERO(S) DE SERIE EFECTIVO(S) 21285, 21288 & 21294

700 SERIES
SERIE 700

SECTION
SECCION

9

PAGE
PAGINA

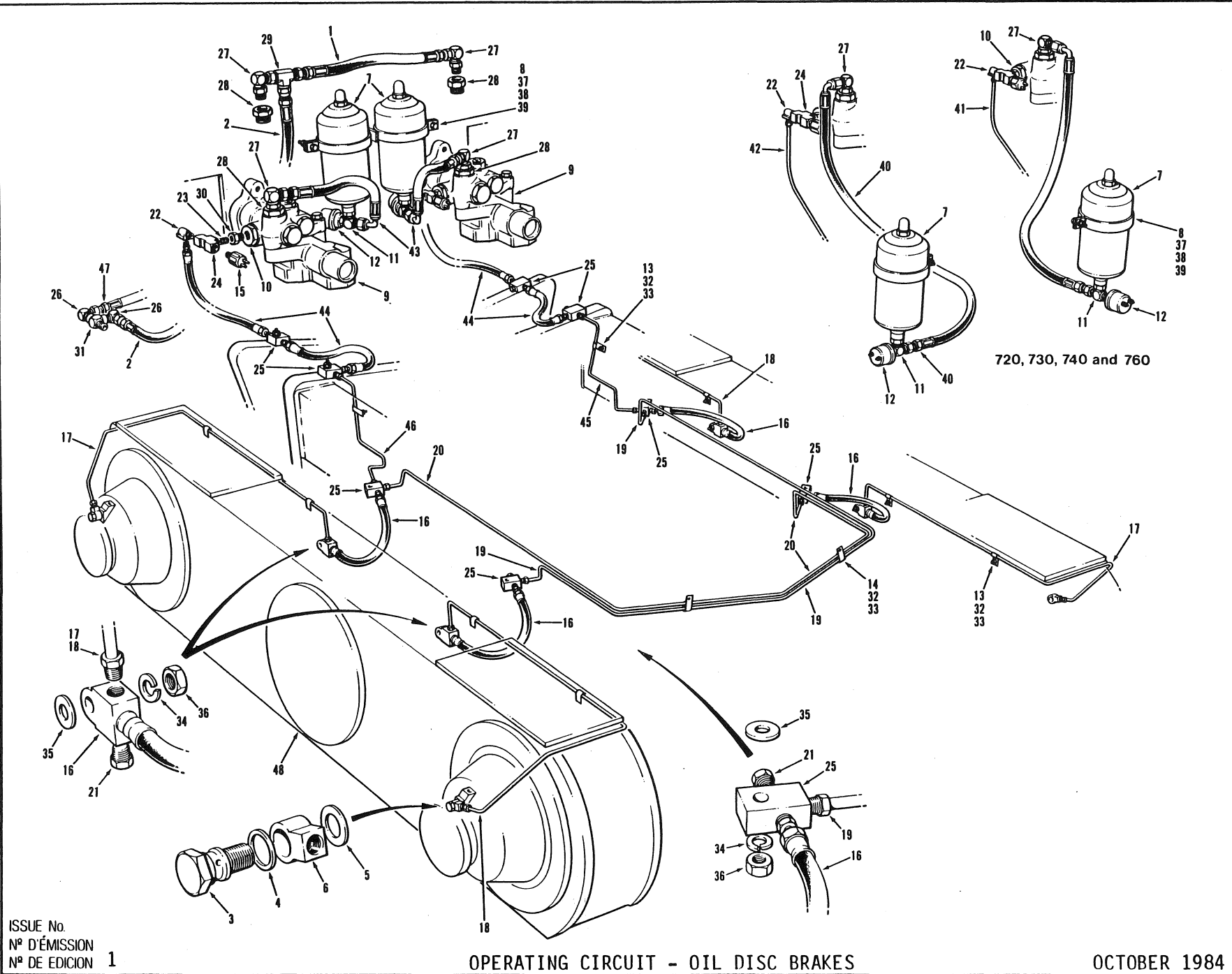
15

No. N° N°	PART No. N° DE PIÈCE N° DE PIEZA	DESCRIPTION DESCRIPTION DESCRIPCION	No. REQ. N° REQ. N° REQ.	REMARKS REMARQUES NOTAS	No. N° N°	PART No. N° DE PIECE N° DE PIEZA	DESCRIPTION DESCRIPTION DESCRIPCION	No. REQ. N° REQ. N° REQ.	REMARKS REMARQUES NOTAS
1	670	SPRING	1						
2	28646	PAD	1						
3	54438	LEVER	1						
4	48341	SHAFT	1						
5	55241	MOUNT - WALKING BEAM	1						
6	54428	WALKING BEAM	1						
7	54425	LINKAGE ROD	1						
8	54421	LEVER	1						
9	32386	BALL JOINT	1						
10	32824	BUSHING	2						
11	10A-0618	CLEVIS PIN	1						
12	10A-0820	CLEVIS PIN	2						
13	13A-0316	COTTER PIN	1						
14	13A-0420	COTTER PIN	2						
15	29F-01	GREASE FITTING	1						
16	70B-0405	SETSCREW	2						
17	50A-0612	BOLT	2						
18	14A-06	LOCKWASHER	2						
19	30A-06	NUT	2						
20	51A-0710	BOLT	6						
21	14A-07	LOCKWASHER	6						
22	14A-10	LOCKWASHER	1						
23	31A-10	NUT	1						
24	31D-10	JAM NUT	1						
25	*56744	BRACKET - SWITCH	1						
26	*50A-0506	BOLT	2						
27	*14A-05	LOCKWASHER	2						
28	*14C-05	FLATWASHER	2						
29	*58266	MOUNTING BAR	1	Repair Part					
30		BRAKE VALVE ASSEMBLY	REF.	Sect 9 Pg 18					

EFFECTIVE SERIAL NUMBERS) 16224, 16245 & UP
 NUMEROS) DE SERIE EFFECTIFS)
 NUMEROS) DE SERIE EFECTIVOS)
 U.S. 2021-2 & UP

700 SERIES
 SERIE 700

SECTION 9 PAGE 17
 SECTION 9 PAGINA 17



720, 730, 740 and 760

OPERATING CIRCUIT - OIL DISC BRAKES

ISSUE No.
 N° D'ÉMISSION
 N° DE EDICION 1

FOR LIST OF PARTS - TURN THIS PAGE POUR LA LISTE DES PIÈCES - VOIR AU VERSO PARA LA LISTA DE LAS PIEZAS - VER AL VERSO

OCTOBER 1984

USE ONLY CHAMPION ROAD MACHINERY APPROVED PARTS

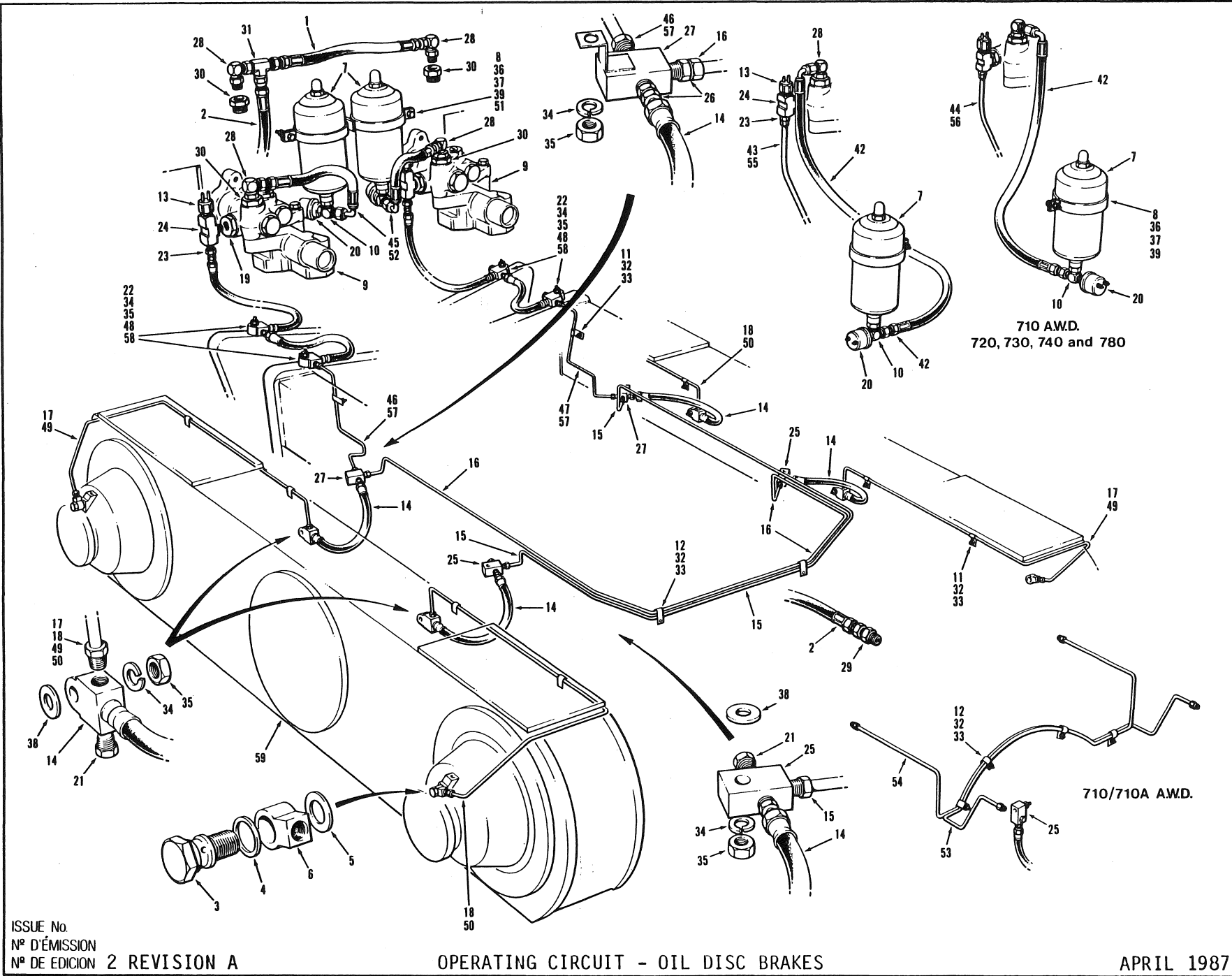
SECTION 9		PAGE 18		ISSUE No. 1		OPERATING CIRCUIT - OIL DISC BRAKES		OCTOBER 1984	
No. N° N°	PART No. N° DE PIÈCE N° DE PIEZA	DESCRIPTION DÉSCRIPTION DESCRIPCION	No. REQ. N° REQ. N° REQ.	REMARKS REMARQUES NOTAS	No. N° N°	PART No. N° DE PIÈCE N° DE PIEZA	DESCRIPTION DÉSCRIPTION DESCRIPCION	No. REQ. N° REQ. N° REQ.	REMARKS REMARQUES NOTAS
1	9313 X 22	HOSE ASSY.	1				<u>MODEL 720,730,740 & 760</u>		
2	9313 X 53.5	HOSE ASSY.	1						
3	18822	BOLT	4		40	14382 X 28	HOSE ASSY.	2	
4	18823	GASKET	4		41	33053	TUBE ASSY. - R.H.	1	
5	18824	GASKET	4		42	33054	TUBE ASSY. - L.H.	1	
6	18825	FITTING	4						
7	24410	ACCUMULATOR	2				<u>MODEL 720A,730A & 740A</u>		
8	24411	BRACKET	2						
9	24412	BRAKE VALVE	2		43	14382 X 14	HOSE ASSY.	2	
10	24417	REDUCER - MODIFIED	2		44	24223	HOSE ASSY.	4	
11	24501	CONNECTOR - MODIFIED	2		45	32191	TUBE ASSY. - R.H.	1	
12	24503	PRESSURE SWITCH	2		46	33055	TUBE ASSY. - L.H.	1	
13	25168	CLIP	A.R.						
14	25169	CLIP	2		47		STEERING CIRCUIT	REF.	SECTION 1
15	27674	SWITCH - BRAKE LIGHT	2						PAGES 13/14
16	32179	HOSE ASSY.	4		48		TANDEM ASSEMBLY	REF.	SECTION 7
17	32196	TUBE ASSY. - FRONT L.H. & REAR R.H.	2						PAGES 15/16
18	32197	TUBE ASSY. - FRONT R.H. & REAR L.H.	2						
19	32198	TUBE ASSY.	1						
20	32199	TUBE ASSY.	1			16042	ACCUMULATOR CHARGING KIT - CONSISTS OF:		
21	100C-04	PLUG	A.R.				PRESSURE GAUGE		
22	100J-0402	CONNECTOR	2				ADAPTER		
23	103L-02	NIPPLE	2				AIR CHUCK		
24	103T-02	TEE	2				TANK VALVE ASSY.		
25	105B-0404	TEE	4	720,730,740 & 760			BLEEDER VALVE		
			8	720A,730A & 740A					
26	110R-0808	CONNECTOR	2				SWIVEL CONNECTOR		
27	111B-0808	CONNECTOR	4				HOSE		
28	111G-1208	REDUCER	4				COUPLING		
29	112C-08	TEE	1				GLAND		
30	115B-0402	REDUCER	2				STD. L.H. GLAND NUT		
31	115V-0808	TEE	1						
32	14A-04	LOCKWASHER	A.R.						
33	30A-04	NUT	A.R.						
34	14A-05	LOCKWASHER	A.R.						
35	14C-05	FLATWASHER	A.R.						
36	30A-05	NUT	A.R.						
37	50A-0610	BOLT	2						
38	14A-06	LOCKWASHER	2						
39	30A-06	NUT	A.R.						
	26868	SEAL KIT FOR 24412 BRAKE VALVE	A.R.						

CHAMPION ROAD MACHINERY

EFFECTIVE SERIAL NUMBERS) 17049 & UP
 NUMEROS) DE SERIE EFFECTIFS)
 NUMEROS) DE SERIE EFECTIVOS)
 U.S. NUMBERS NOT APPLICABLE

700 SERIES
 SERIE 700

SECTION 9 PAGE 17
 SECCION 9 PAGINA 17



ISSUE No.
 N° D'ÉMISSION
 N° DE EDICION 2 REVISION A

OPERATING CIRCUIT - OIL DISC BRAKES

APRIL 1987

FOR LIST OF PARTS - TURN THIS PAGE

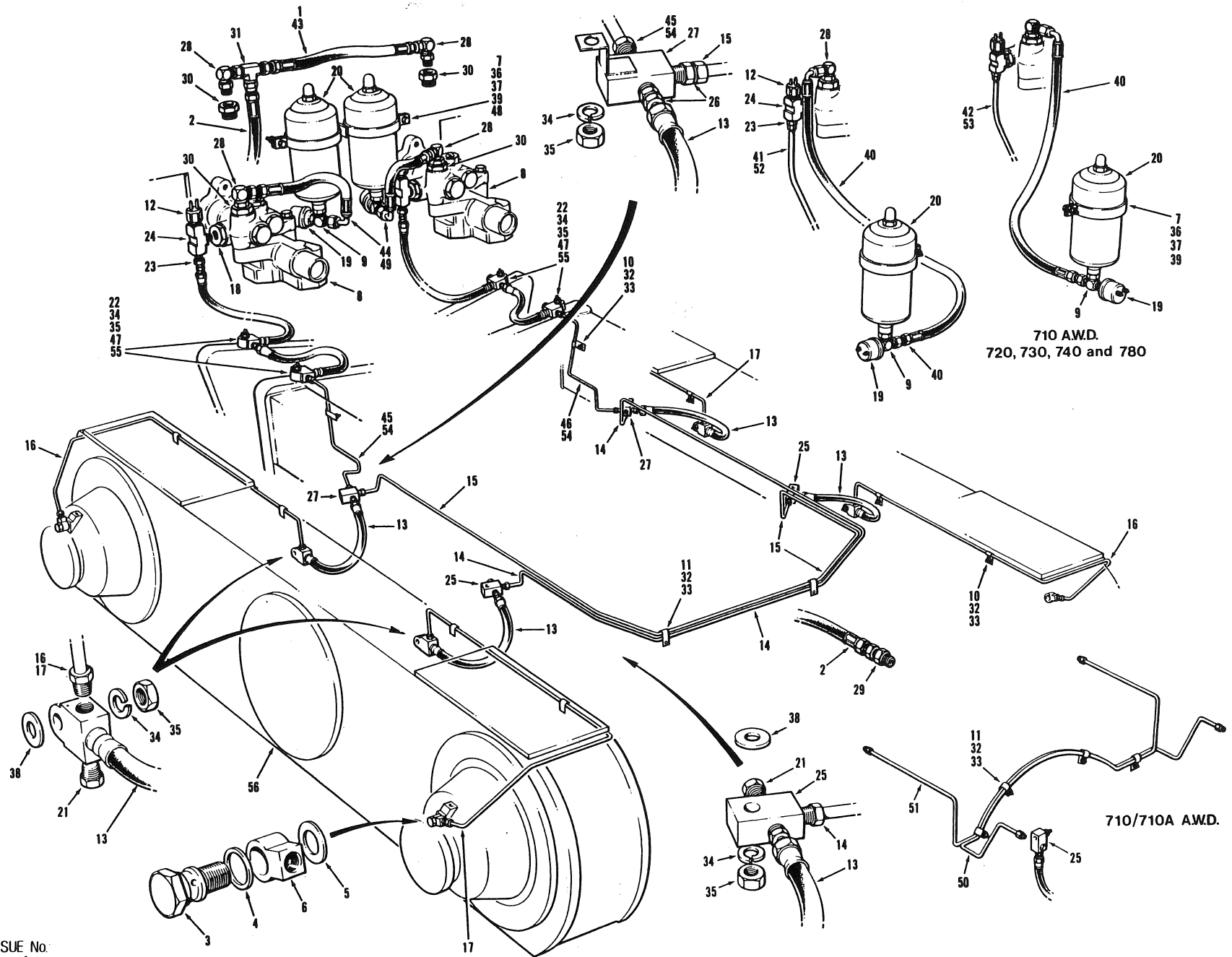
POUR LA LISTE DES PIÈCES - VOIR AU VERSO

PARA LA LISTA DE LAS PIEZAS - VER AL VERSO

USE ONLY CHAMPION ROAD MACHINERY APPROVED PARTS

SECTION SECCION 9		PAGE PAGINA 18	ISSUE No. N° D'ÉMISSION N° DE EDICION 2 REVISION A	OPERATING CIRCUIT - OIL DISC BRAKES				APRIL 1987	
No. N° N°	PART No. N° DE PIÈCE N° DE PIEZA	DESCRIPTION DÉSCRIPTION DESCRIPCION	No. REQ. N° REQ. N° REQ.	REMARKS REMARQUES NOTAS	No. N° N°	PART No. N° DE PIECE N° DE PIEZA	DESCRIPTION DÉSCRIPTION DESCRIPCION	No. REQ. N° REQ. N° REQ.	REMARKS REMARQUES NOTAS
1	9313 X 22	HOSE ASSY.	1						
2	*14382 X 90	HOSE ASSY.	1				MODEL 720, 730, 740 & 780		
3	18822	BOLT	4		42	14382 X 28	HOSE	2	
4	18823	GASKET	4		43	43927	TUBE - L.H.	1	
5	18824	GASKET	4		44	43928	TUBE - R.H.	1	
6	18825	FITTING	4						
7	24410	ACCUMULATOR	2						
8	24411	BRACKET	2				MODEL 720A, 730A, 740A & 780A		
9	24412	BRAKE VALVE	2		45	14382 X 14	HOSE	2	
10	24501	CONNECTOR - MODIFIED	2		46	43925	TUBE - L.H.	1	
11	25168	CLIP	4or6		47	43926	TUBE - R.H.	1	
12	25169	CLIP	A.R.		48	*44432	HOSE	4	
13	27674	SWITCH - BRAKE LIGHT	2						
14	32179	HOSE ASSY.	4		49	32196	TUBE - FRONT L.H. & REAR R.H.	2	A.W.D. MODEL 720A & 730A
15	32198	TUBE ASSY.	1		50	32197	TUBE - FRONT R.H. & REAR L.H.	2	
16	32199	TUBE ASSY.	1		51	37099	BRACKET	2	
17	32904	TUBE ASSY. - FRONT L.H. & REAR R.H.	2						
18	32905	TUBE ASSY. - FRONT R.H. & REAR L.H.	2						
19	43431	REDUCER - MODIFIED	2				A.W.D. MODEL 710 & 710A		
20	44433	PRESSURE SWITCH	2		52	14382 X 14	HOSE	2	
21	100C-04	PLUG	6		53	42225	TUBE	1	
22	100C-05	PLUG	2or4		54	42226	TUBE	1	
23	100D-0502	CONNECTOR	2		55	43922	TUBE	1	710
24	103S-02	TEE	2		56	43923	TUBE	1	710
25	105B-0404	TEE	2		57	43924	TUBE	2	710A
26	*105E-0405	REDUCER	4		58	*44432	HOSE	2	710A
27	*105F-0505	CONNECTOR	2or4						
28	111B-0808	CONNECTOR	4						
29	111E-0812	CONNECTOR	1						
30	111R-1208	REDUCER	4						
31	112C-08	TEE	1						
32	14A-04	LOCKWASHER	A.R.						
33	30A-04	NUT	A.R.						
34	14A-05	LOCKWASHER	A.R.						
35	30A-05	NUT	A.R.						
36	50A-0612	BOLT	2						
37	14A-06	LOCKWASHER	2						
38	*14C-06	FLATWASHER	A.R.						
39	30A-06	NUT	2						
40	*50A-0710	SCREW	6						
41	*14A-07	LOCKWASHER	6						
	26868	SEAL KIT FOR 24412 BRAKE VALVE	A.R.		59		TANDEM ASSEMBLY	REF.	SECTION 7 PAGE 16

CHAMPION ROAD MACHINERY



710 A.W.D.
720, 730, 740 and 780

710/710A A.W.D.

OPERATING CIRCUIT - OIL DISC BRAKES

SEPTEMBER 1987

EFFECTIVE SERIAL NUMBERS) 18375 & UP
 NUMEROS) DE SERIE EFFECTIFS)
 NUMEROS) DE SERIE EFFECTIVOS)
 U.S. NUMBERS NOT APPLICABLE

700 SERIES
 SERIE 700

SECTION 9 PAGE 17
 SECCION 9 PAGINA 17

ISSUE No.
 N° D'ÉMISSION
 N° DE EDICION 3

FOR LIST OF PARTS - TURN THIS PAGE

POUR LA LISTE DES PIÈCES - VOIR AU VERSO

PARA LA LISTA DE LAS PIEZAS - VER AL VERSO

USE ONLY CHAMPION ROAD MACHINERY APPROVED PARTS

SECTION SECCION 9		PAGE PAGINA 18	ISSUE No. N° D'ÉMISSION N° DE EDICION 3	OPERATING CIRCUIT - OIL DISC BRAKES				SEPTEMBER 1987	
No. N° N°	PART No. N° DE PIECE N° DE PIEZA	DESCRIPTION DÉSCRIPTION DESCRIPCION	No. REQ. N° REQ. N° REQ.	REMARKS REMARQUES NOTAS	No. N° N°	PART No. N° DE PIECE N° DE PIEZA	DESCRIPTION DÉSCRIPTION DESCRIPCION	No. REQ. N° REQ. N° REQ.	REMARKS REMARQUES NOTAS
1	9313 X 22	HOSE ASSY.	1				MODEL 720, 730, 740 & 780		
2	*14382 X 110	HOSE ASSY.	1						
3	18822	BOLT	4		40	14382 X 28	HOSE	2	
4	18823	GASKET	4		41	43927	TUBE - L.H.	1	
5	18824	GASKET	4		42	43928	TUBE - R.H.	1	
6	18825	FITTING	4						
7	24411	BRACKET	2				MODEL 720A, 730A, 740A & 780A		
8	24412	BRAKE VALVE	2						
9	24501	CONNECTOR - MODIFIED	2		43	*9313 X 18	HOSE	1	
10	25168	CLIP	4or6		44	14382 X 14	HOSE	2	
11	25169	CLIP	A.R.		45	43925	TUBE - L.H.	1	
12	27674	SWITCH - BRAKE LIGHT	2		46	43926	TUBE - R.H.	1	
13	32179	HOSE ASSY.	4		47	44432	HOSE	4	
14	32198	TUBE ASSY.	1						
15	32199	TUBE ASSY.	1						
16	32904	TUBE ASSY. - FRONT L.H. & REAR R.H.	2		48	37099	BRACKET	2	A.W.D. MODEL 720A & 730A
17	32905	TUBE ASSY. - FRONT R.H. & REAR L.H.	2						
18	43431	REDUCER - MODIFIED	2						
19	44433	PRESSURE SWITCH	2				A.W.D. MODEL 710 & 710A		
20	*45810	ACCUMULATOR	2						
21	100C-04	PLUG	6		49	14382 X 14	HOSE	2	
22	100C-05	PLUG	2or4		50	42225	TUBE	1	
23	100D-0502	CONNECTOR	2		51	42226	TUBE	1	
24	103S-02	TEE	2		52	43922	TUBE	1	710
25	105B-0404	TEE	2		53	43923	TUBE	1	710
26	105E-0405	REDUCER	4		54	43924	TUBE	2	710A
27	105F-0505	TEE	2or4		55	44432	HOSE	2	710A
28	111B-0808	CONNECTOR	4						
29	111E-0812	CONNECTOR	1						
30	111R-1208	REDUCER	4			16042	ACCUMULATOR CHARGING KIT - CONSISTS OF:		
31	112C-08	TEE	1						
32	14A-04	LOCKWASHER	A.R.				PRESSURE GAUGE		
33	30A-04	NUT	A.R.				ADAPTER		
34	14A-05	LOCKWASHER	A.R.				AIR CHUCK		
35	30A-05	NUT	A.R.				TANK VALVE ASSY.		
36	50A-0612	BOLT	2				BLEEDER VALVE		
37	14A-06	LOCKWASHER	2				SWIVEL CONNECTOR		
38	14C-06	FLATWASHER	A.R.				HOSE		
39	30A-06	NUT	2				COUPLING		
	26868	SEAL KIT FOR 24412 BRAKE VALVE	A.R.				GLAND		
							STD. L.H. GLAND NUT		
					56		TANDEM ASSEMBLY	REF.	SECTION 7 PAGE 16

EFFECTIVE SERIAL NUMBERS)
 NUMEROSI DE SERIE EFFETTIVI(S)
 NUMEROSI DE SERIE EFECTIVOS)

19433, 19435 to 20453

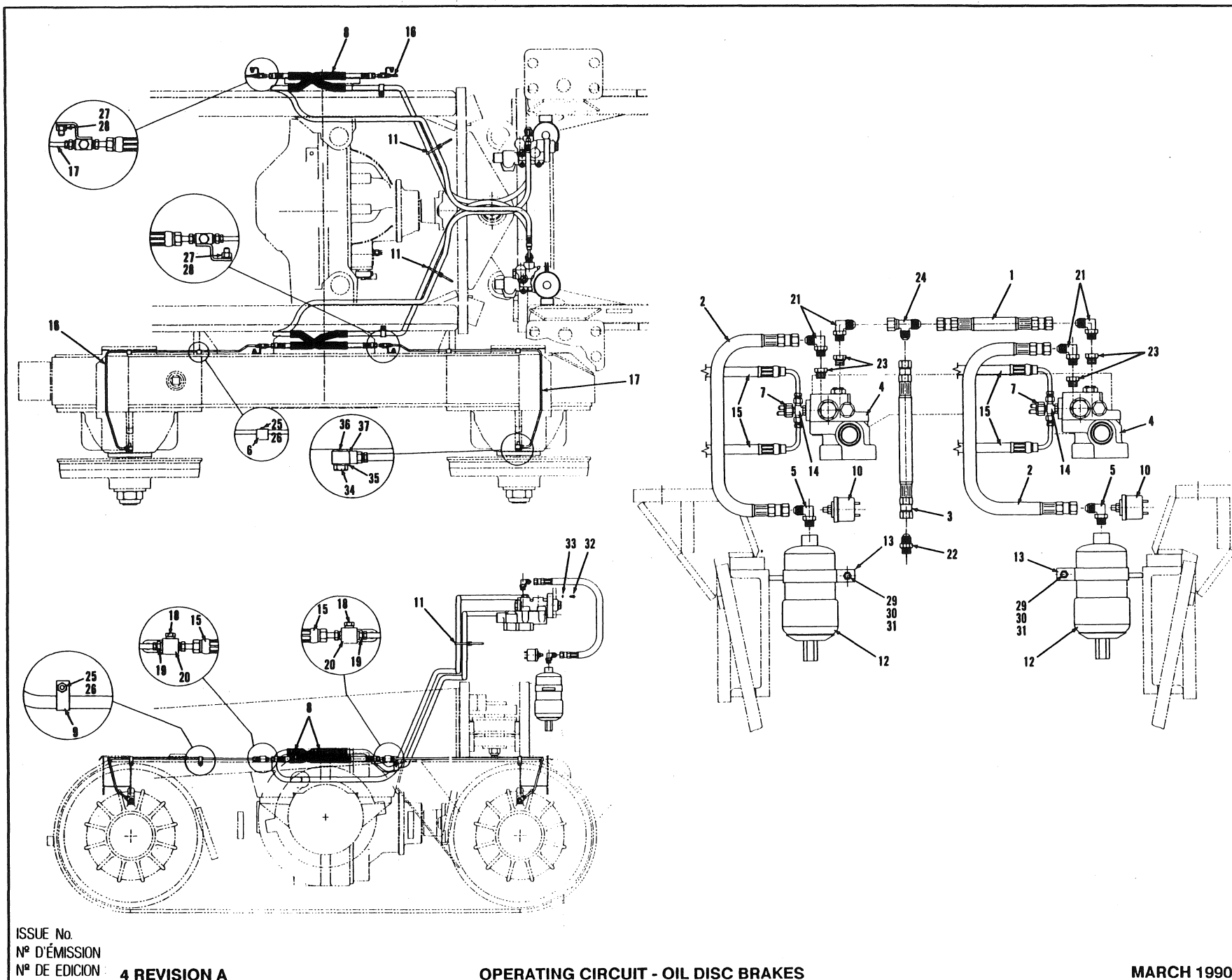
700 SERIES
 SERIE 700

SECTION
 SECCION

9

PAGE
 PAGINA

17



ISSUE No.
 N° D'ÉMISSION
 N° DE EDICION

4 REVISION A

OPERATING CIRCUIT - OIL DISC BRAKES

MARCH 1990

FOR LIST OF PARTS - TURN THIS PAGE

POUR LA LISTE DES PIÈCES - VOIR AU VERSO

PARA LA LISTA DE LAS PIEZAS - VER AL VERSO

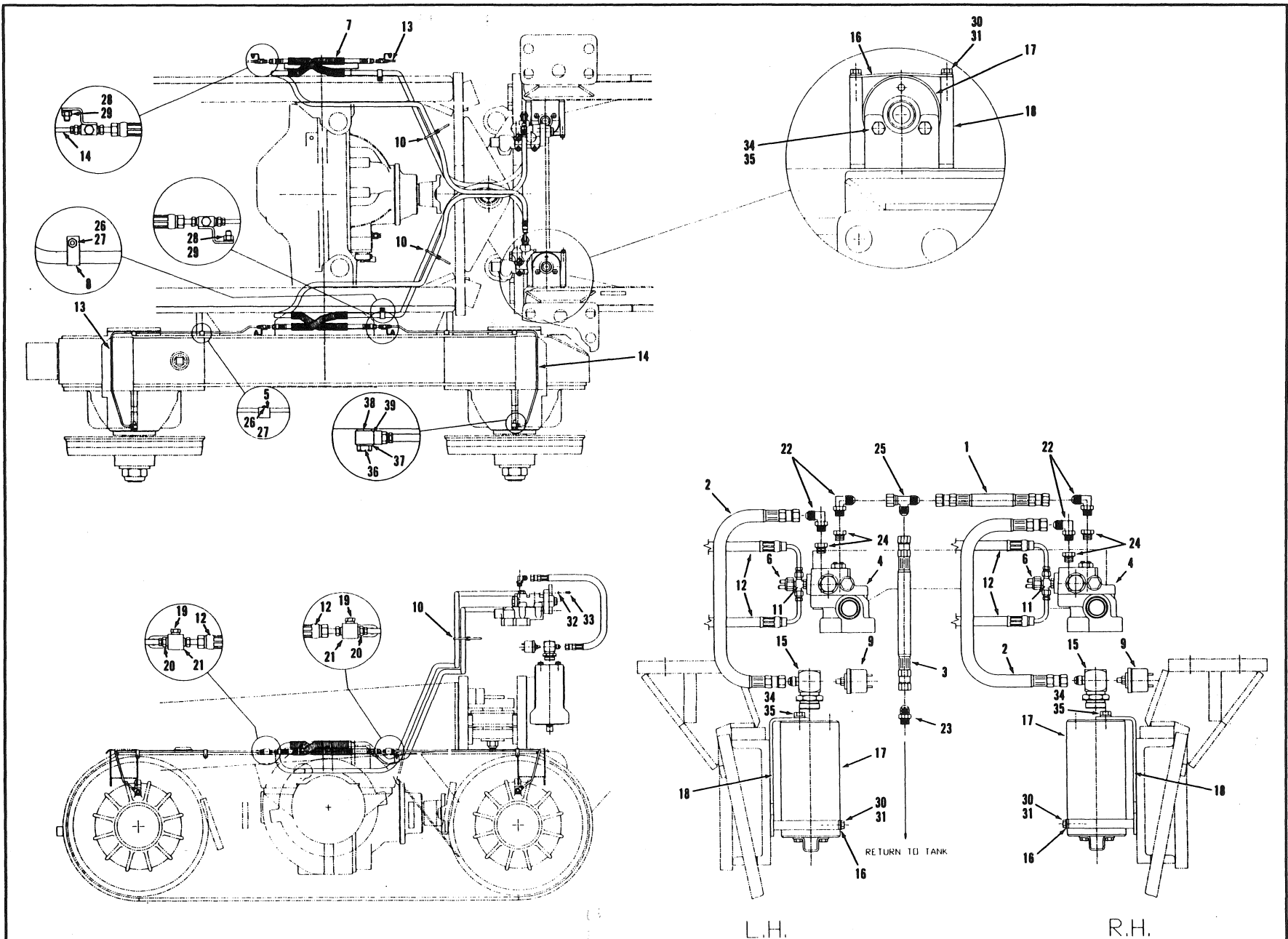
SECTION SECCION		PAGE PAGINA		ISSUE No. N° D'ÉMISSION N° DE EDICION		4 REVISION A		OPERATING CIRCUIT - OIL DISC BRAKES			MARCH 1990	
No. N° N°	PART No. N° DE PIÈCE N° DE PIEZA	DESCRIPTION DESCRIPTION DESCRIPCION	No. REQ N° REQ. N° REQ.	REMARKS REMARQUES NOTAS	No. N° N°	PART No. N° DE PIÈCE N° DE PIEZA	DESCRIPTION DESCRIPTION DESCRIPCION	No. REQ N° REQ. N° REQ.	REMARKS REMARQUES NOTAS			
1	9313X18	HOSE	1									
2	9313X22	HOSE	2									
3	9313X110	HOSE	1									
4	24412	BRAKE VALVE	2									
	*26868	SEAL KIT FOR - 24412 BRAKE VALVE										
5	24501	CONNECTOR	2									
6	25169	CLIP	8									
7	27674	SWITCH - BRAKE LIGHT	2									
8	30925X12	HOSE WRAP	4									
9	32318	CLAMP	4									
10	44433	PRESSURE SWITCH	2									
11	45699	TIE WRAP	6									
12	45811	ACCUMULATOR	2									
13	49650	BRACKET	2									
14	49841	TEE	2									
15	49862X96	HOSE	4									
16	*54015	BRAKE LINE - RIGHT REAR/LEFT FRONT	2									
17	*54016	BRAKE LINE - RIGHT FRONT/LEFT REAR	2									
18	100C-05	PLUG	4									
19	105E-0405	REDUCER	4									
20	105F-0505	TEE	4									
21	111B-0808	CONNECTOR	4									
22	111E-0812	CONNECTOR	1									
23	111R-1208	REDUCER	4									
24	112C-08	TEE	1									
25	14A-04	LOCKWASHER	12									
26	30A-04	NUT	12									
27	14A-05	LOCKWASHER	4									
28	30A-05	NUT	4									
29	50A-0610	BOLT	2									
30	14A-06	LOCKWASHER	2									
31	30A-06	NUT	2									
32	51A-0710	BOLT	6									
33	14A-07	LOCKWASHER	6									
34	18822	BOLT	4									
35	18823	GASKET	4									
36	18824	GASKET	4									
37	18825	FITTING	4									

CHAMPION ROAD MACHINERY

EFFECTIVE SERIAL NUMBERS)
 NUMEROS DE SÉRIE EFFECTIFS)
 NUMEROS DE SERIE EFECTIVOS)
 20454, 20455, 20457 to 20459,
 20462 & UP

700 SERIES
 SERIE 700

SECTION 9 PAGE 17
 SECCION 9 PAGINA 17



ISSUE No.
 N° D'ÉMISSION
 N° DE EDICION 5

OPERATING CIRCUIT - OIL DISC BRAKES

MARCH 1990

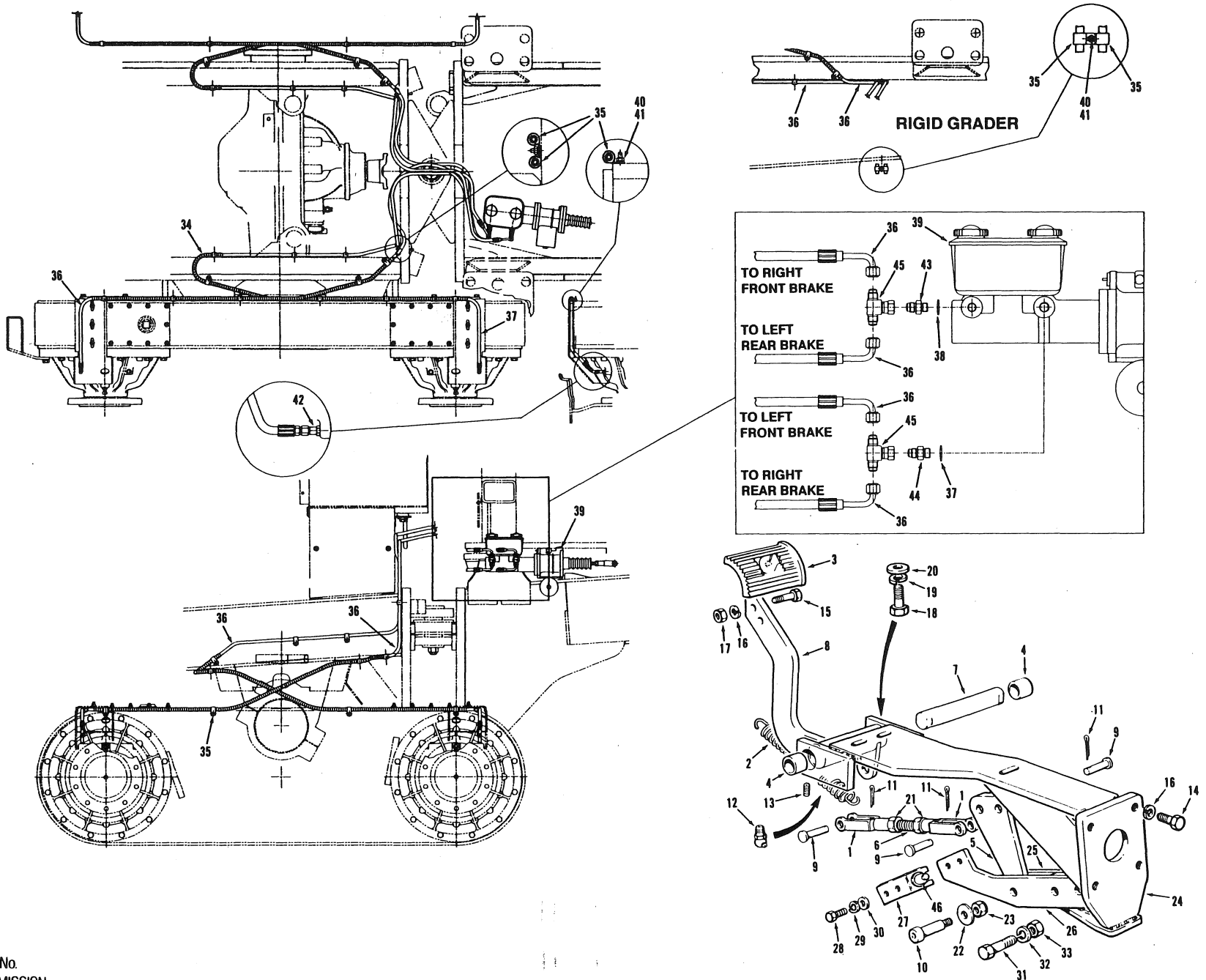
FOR LIST OF PARTS - TURN THIS PAGE

POUR LA LISTE DES PIÈCES - VOIR AU VERSO

PARA LA LISTA DE LAS PIEZAS - VER AL VERSO

USE ONLY CHAMPION ROAD MACHINERY APPROVED PARTS

SECTION SECCION		PAGE PAGINA		ISSUE No. N° D'ÉMISSION N° DE EDICION		OPERATING CIRCUIT - OIL DISC BRAKES				MARCH 1990	
No. N° N°	PART No. N° DE PIÈCE N° DE PIEZA	DESCRIPTION DÉSCRIPTION DESCRIPCION	No. REQ. N° REQ. N° REQ.	REMARKS REMARQUES NOTAS	No. N° N°	PART No. N° DE PIÈCE N° DE PIEZA	DESCRIPTION DÉSCRIPTION DESCRIPCION	No. REQ. N° REQ. N° REQ.	REMARKS REMARQUES NOTAS		
1	9313 x 18	HOSE	1								
2	9313 x 22	HOSE	2								
3	9313 x 110	HOSE	1								
4	24412	BRAKE VALVE	2								
	*26868	SEAL KIT - FOR 24412 BRAKE VALVE	1 per								
5	25169	CLIP	8								
6	27674	SWITCH - BRAKE LIGHT	2								
7	30925 x 12	HOSE WRAP	4								
8	32318	CLAMP	4								
9	44433	PRESSURE SWITCH	2								
10	45699	TIE WRAP	6								
11	49841	TEE	2								
12	49862 x 96	HOSE	4								
13	*54015	BRAKE LINE - RIGHT REAR/LEFT FRONT	2								
14	*54016	BRAKE LINE - RIGHT FRONT/LEFT REAR	2								
15	*54778	CONNECTOR	2								
16	*54779	STRAP	2								
17	*54790	ACCUMULATOR	2								
	*56473	SEAL KIT - FOR 54790 ACCUMULATOR	1 per								
	*56474	GAUGE - USE WITH CHARGING KIT	1								
	*56475	CHARGING KIT - INCLUDES 10' HOSE, FITTINGS, GAS VALVE, BLEEDER VALVE & GAS CHUCK	1								
18	*54792	BRACKET	2								
19	100C-05	PLUG	4								
20	105E-0405	REDUCER	4								
21	105F-0505	TEE	4								
22	111B-0808	CONNECTOR	4								
23	111E-0812	CONNECTOR	1								
24	111R-1208	REDUCER	4								
25	112C-08	TEE	1								
26	14A-04	LOCKWASHER	12								
27	30A-04	NUT	12								
28	14A-05	LOCKWASHER	4								
29	30A-05	NUT	4								
30	*50A-0608	BOLT	4								
31	14A-06	LOCKWASHER	4								
32	51A-0710	BOLT	6								
33	14A-07	LOCKWASHER	6								
34	*51A-0806	BOLT	4								
35	*14A-08	LOCKWASHER	4								
36	18822	BOLT	4								
37	18823	GASKET	4								
38	18824	GASKET	4								
39	18825	FITTING	4								



ISSUE No.
N° D'ÉMISSION
N° DE EDICION

6 REVISION A

BRAKE PEDAL & CIRCUIT - OIL DISC BRAKES

FEBRUARY 1991

FOR LIST OF PARTS - TURN THIS PAGE

POUR LA LISTE DES PIÈCES - VOIR AU VERSO

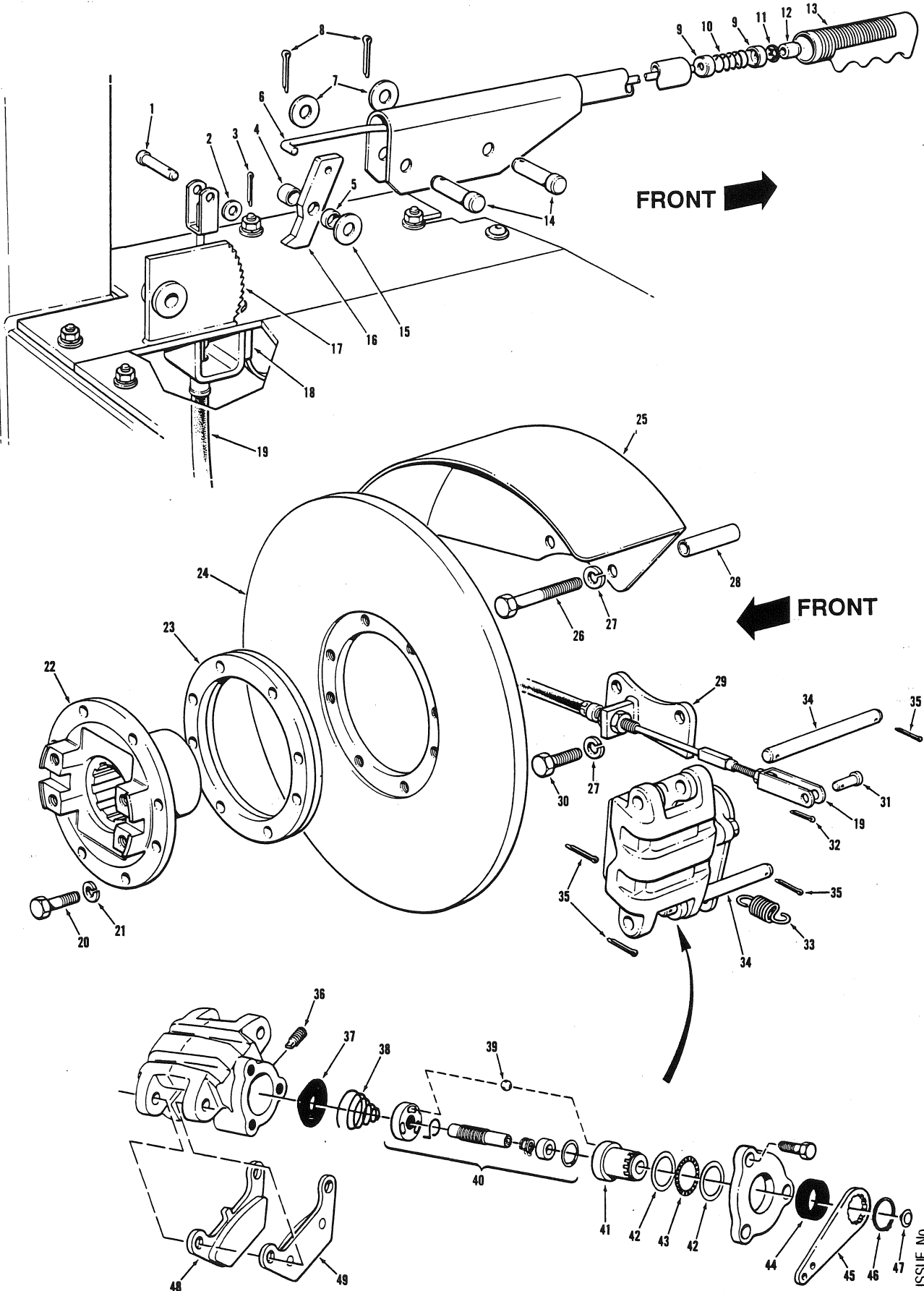
PARA LA LISTA DE LAS PIEZAS - VER AL VERSO

EFFECTIVE SERIAL NUMBERS)
NUMEROS) DE SERIE EFFECTIFS)
NUMEROS) DE SERIE EFECTIVOS)
Models 710 thru 740A
21134 & UP, EXCLUDING 21225
Models 750 thru 780A
21386 & UP

700 SERIES
SERIE 700

SECTION 9 PAGE
SECCION 9 PAGINA 17

SECTION SECCION		PAGE PAGINA		ISSUE No. N° D'ÉMISSION N° DE EDICION		6 REVISION A		BRAKE PEDAL & CIRCUIT - OIL DISC BRAKES		FEBRUARY 1991	
No. N° N°	PART No. N° DE PIÈCE N° DE PIEZA	DESCRIPTION DESCRIPTION DESCRIPCION	No. REQ. N° REQ. N° REQ.	REMARKS REMARQUES NOTAS	No. N° N°	PART No. N° DE PIÈCE N° DE PIEZA	DESCRIPTION DESCRIPTION DESCRIPCION	No. REQ. N° REQ. N° REQ.	REMARKS REMARQUES NOTAS		
<u>BRAKE PEDAL INSTALLATION</u>					<u>BRAKE CIRCUIT</u>						
1	602	CLEVIS	2		34	30926 x 110	HOSE WRAP	4			
2	670	SPRING	1		35	32318	CLAMP	24			
3	28646	PAD	1		36	56792 x 150	HOSE	4			
4	32824	BUSHING	2		37	56793	SEAL	1			
5	56746	PIVOT PLATE	1		38	56794	SEAL	1			
6	48340	ROD	1		39		MASTER CYLINDER	REF.	Sect 9 Pg 5		
7	48341	SHAFT	1		40	*14A-06	LOCKWASHER	22			
8	53018	LEVER	1		41	*30A-06	NUT	22			
9	10A-0820	CLEVIS PIN	3								
10	50G-0812	SHOULDER SCREW	1		42	111E-0404	CONNECTOR	4			
11	13A-0416	COTTER PIN	3		43	111E-0605	CONNECTOR	1			
12	28B-04	GREASE FITTING	1		44	111E-0606	CONNECTOR	1			
13	70B-0405	SET SCREW	2		45	112D-06	TEE	2			
14	50A-0610	BOLT	4		46	56775	SWITCH - BRAKE LIGHT	1			
15	50A-0812	BOLT	2								
16	14A-06	LOCKWASHER	6								
17	30A-06	NUT	2								
18	50A-0810	BOLT	3								
19	14A-08	LOCKWASHER	3								
20	14C-08	FLATWASHER	3								
21	31D-08	NUT	2								
22	14C-06	LOCKWASHER	1								
23	36M-06	LOCKNUT	1								
24	56741	BRACKET	1								
25	56745	PIVOT - OUTER	1								
26	56773	PIVOT - INNER	1								
27	56774	BRACKET	1								
28	50A-0506	BOLT	2								
29	14A-05	LOCKWASHER	2								
30	14C-05	FLATWASHER	2								
31	50A-0820	BOLT	2								
32	14A-08	LOCKWASHER	2								
33	30A-08	NUT	2								



EFFECTIVE SERIAL NUMBER(S) 21053 & UP
 NUMERO(S) DE SÉRIE EFFECTIF(S)
 NUMERO(S) DE SERIE EFECTIVO(S)

700 SERIES
SERIE 700

SECTION 9 **PAGE 19**
SECCION 9 **PAGINA 19**

ISSUE No.
 N° D'ÉMISSION
 N° DE EDICION

SECTION SECCION		PAGE PAGINA	ISSUE No. N° D'ÉMISSION N° DE EDICION	HANDBRAKE INSTALLATION - Models 750 thru 780A				OCTOBER 1990	
No. N° N°	PART No. N° DE PIÈCE N° DE PIEZA	DESCRIPTION DÉSCRIPTION DESCRIPCION	No. REQ. N° REQ. N° REQ.	REMARKS REMARQUES NOTAS	No. N° N°	PART No. N° DE PIÈCE N° DE PIEZA	DESCRIPTION DÉSCRIPTION DESCRIPCION	No. REQ. N° REQ. N° REQ.	REMARKS REMARQUES NOTAS
	54462	HANDLE ASSEMBLY - C/W ITEMS 1 TO 17	1			55325	CALIPER ASSEMBLY - C/W ITEMS 34 TO 49	1	
1	10A-0516	CLEVIS PIN	1		34	58527	MOUNTING PIN	2	
2	14C-05	FLATWASHER	1		35	13A-0524	COTTER PIN	4	
3	13A-0312	COTTER PIN	3		36	58516	KEY	1	
4	54460	SPACER - LONG	1		37	58517	BOOT	1	
5	54461	SPACER - SHORT	1		38	58518	SPRING	1	
6	54459	ROD	1		39	58519	BALL	3	
7	14C-08	FLATWASHER	2		40	58515	SHAFT & STATOR ASSEMBLY	1	
8	13A-0420	COTTER PIN	2		41	58520	ROTOR	1	
9	46552	WASHER	2		42	58522	THRUST WASHER	2	
10	34561	SPRING	1		43	58521	THRUST BEARING	1	
11	46553	FASTENER	2		44	58523	BOOT	1	
12	46554	END PROTECTOR	1		45	58524	LEVER	1	
13	46556	GRIP - HANDLE	1		46	58525	RETAINING RING	1	
14	10A-0828	CLEVIS PIN	2		47	58526	PLUG	1	
15	14D-08	FLATWASHER	1		48	58513	PAD & HOLDER ASSEMBLY	1	
16	48970	PAWL	1		49	58514	PAD & HOLDER ASSEMBLY	1	
17	54458	RATCHET	1	Repair Part					
18	56775	SWITCH - WARNING LIGHT	1						
19	56066	BRAKE CABLE	1						
20	51A-0718	BOLT	8						
21	14A-07	LOCKWASHER	8						
22	36293	YOKE	1						
23	55327	ADAPTER	1						
24	55324	DISC	1						
25	56068	FENDER	1						
26	50A-1036	BOLT	2						
27	14A-10	LOCKWASHER	4						
28	58512	SPACER	2						
29	56071	CABLE ANCHOR	1						
30	50A-1018	BOLT	2						
31	10A-0616	CLEVIS PIN	1						
32	13A-0312	COTTER PIN	1						
33	56067	SPRING	1						